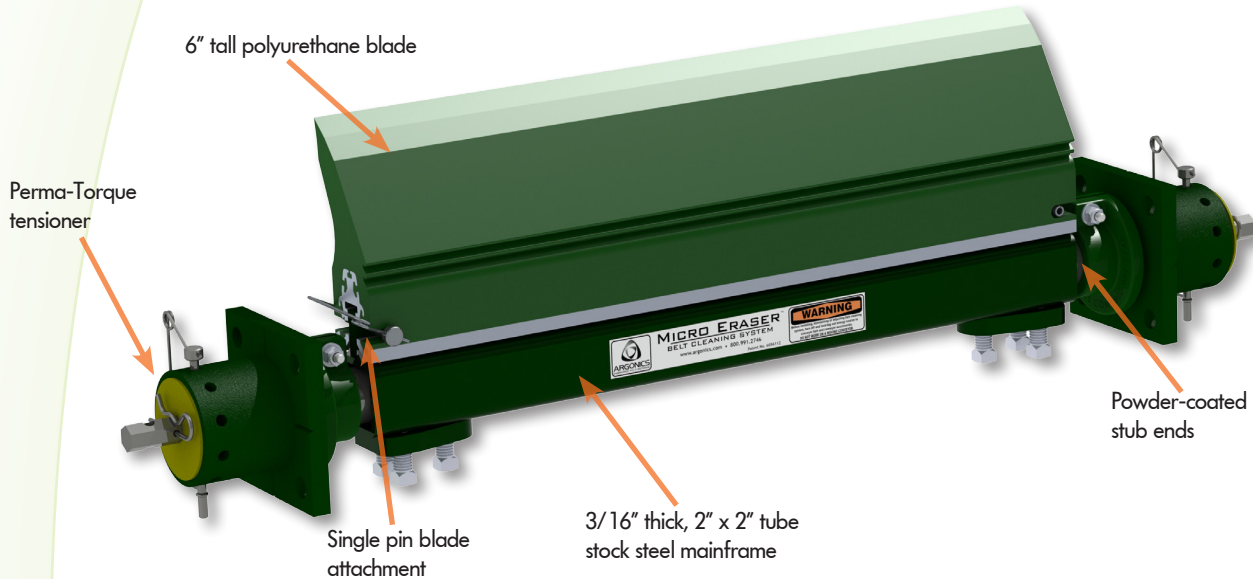


# MICRO ERASER™

## PRIMARY CONVEYOR BELT CLEANING SYSTEM








The Micro Eraser is your answer for portable equipment with tight clearance issues. Designed to be lightweight yet provide strength, the Micro Eraser features a 3/16" (6 mm) thick, 2" x 2" (51 mm x 51 mm) tube stock steel mainframe and corrosion-resistant, powder-coated stub ends.



### BENEFITS

- Proven effective cleaning performance with a 6" (152 mm) tall polyurethane blade
- Very compact mounting footprint only protrudes 4.5" (114 mm) from mounting structure
- No rusted springs, hoses, cables, shocks or mud-packed components to deal with
- The Perma-Torque™ internal central tensioner is adjustable from 5 to 20 ft-lb (7 to 27 Nm) resulting in uniform cleaning pressure to the conveyor belt
- Single pin blade attachment means quick and simple blade change out, less downtime and no rusty bolts

### BLADES

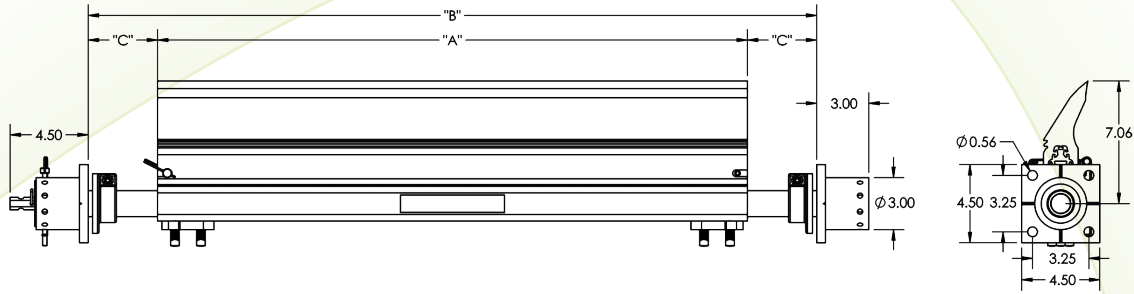
- |  |   |
|--|---|
|  <b>N62 Ether</b><br>Normally used for extremely wet applications, sands & fines      |  <b>B93 Ester</b><br>Our high temperature cleaning blade, up to 250°F (121°C)  |
|  <b>R80 Ether</b><br>Good for wet applications with any pH level                      |  <b>FO83 Ester</b><br>MSHA approved Front Line® flame-retardant cleaning blade |
|  <b>G83 Ester</b><br>Our standard, high abrasion-resistant all-purpose cleaning blade |  <b>RU83 Ester</b><br>Flame retardant, anti-static cleaning blade              |
|  <b>U90</b><br>Good for dry applications with any pH level                            |   |



**ARGONICS**  
ENGINEERED POLYURETHANE

## SIZING INFORMATION

Dimensions - in. (mm)



Part Number	A		Min B.		Max B.		Min C.		Max C.		Shipping Weight	
	inches	(mm)	inches	(mm)	inches	(mm)	inches	(mm)	inches	(mm)	lbs	(kg)
CP-MEA16M-G83	16.00	(406)	28.00	(711)	35.00	(889)	6.00	(152)	9.50	(241)	29.00	(13)
CP-MEA22M-G83	22.00	(559)	22.50	(572)	41.00	(1041)	0.25	(6)	9.50	(241)	32.25	(15)
CP-MEA28M-G83	28.00	(711)	28.50	(724)	47.00	(1194)	0.25	(6)	9.50	(241)	35.75	(16)
CP-MEA34M-G83	34.00	(864)	34.50	(876)	53.00	(1346)	0.25	(6)	9.50	(241)	41.75	(19)
CP-MEA40D-G83	40.00	(1016)	40.50	(1029)	59.00	(1499)	0.25	(6)	9.50	(241)	45.25	(21)
CP-MEA46D-G83	46.00	(1168)	46.50	(1181)	65.00	(1651)	0.25	(6)	9.50	(241)	48.50	(22)
CP-MEA52D-G83	52.00	(1321)	52.50	(1334)	71.00	(1803)	0.25	(6)	9.50	(241)	52.00	(24)
CP-MEA58D-G83	58.00	(1473)	58.50	(1486)	77.00	(1956)	0.25	(6)	9.50	(241)	55.50	(25)

### NOTES:

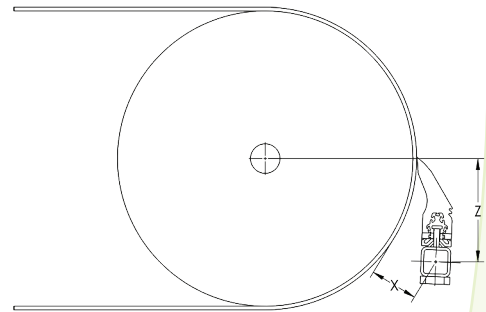
- To get minimum B or C, the shaft collars must be removed.
- Standard "in stock" sizes shown above. Other sizes are available from 16" (406 mm) to 72" (1829 mm).

## SPECIFICATIONS

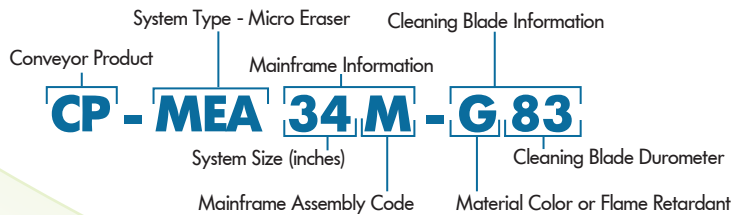
Recommended Belt Speeds  
0 - 450 fpm (2.29 m/s)

Pulley Diameter (PD)  
Minimum: 8" (203 mm)  
Maximum: 20" (508 mm)

## MOUNTING INFORMATION



## NOMENCLATURE



### Notes:

Stainless steel systems are available. Contact your Argonics rep. for more information.

Pulley Diameter	X	Z
8" - 10" (203 mm - 254 mm)	4" (102 mm)	7" (178 mm)
11" - 13" (279 mm - 330 mm)	3.75" (96 mm)	7" (178 mm)
14" - 16" (356 mm - 406 mm)	3.5" (89 mm)	7" (178 mm)
17" - 20" (432 mm - 508 mm)	3.25" (82.5 mm)	7" (178 mm)



**ARGONICS**  
ENGINEERED POLYURETHANE



Jamieson Equipment Company  
www.jamiesonequipment.com  
toll free 800.875.0280