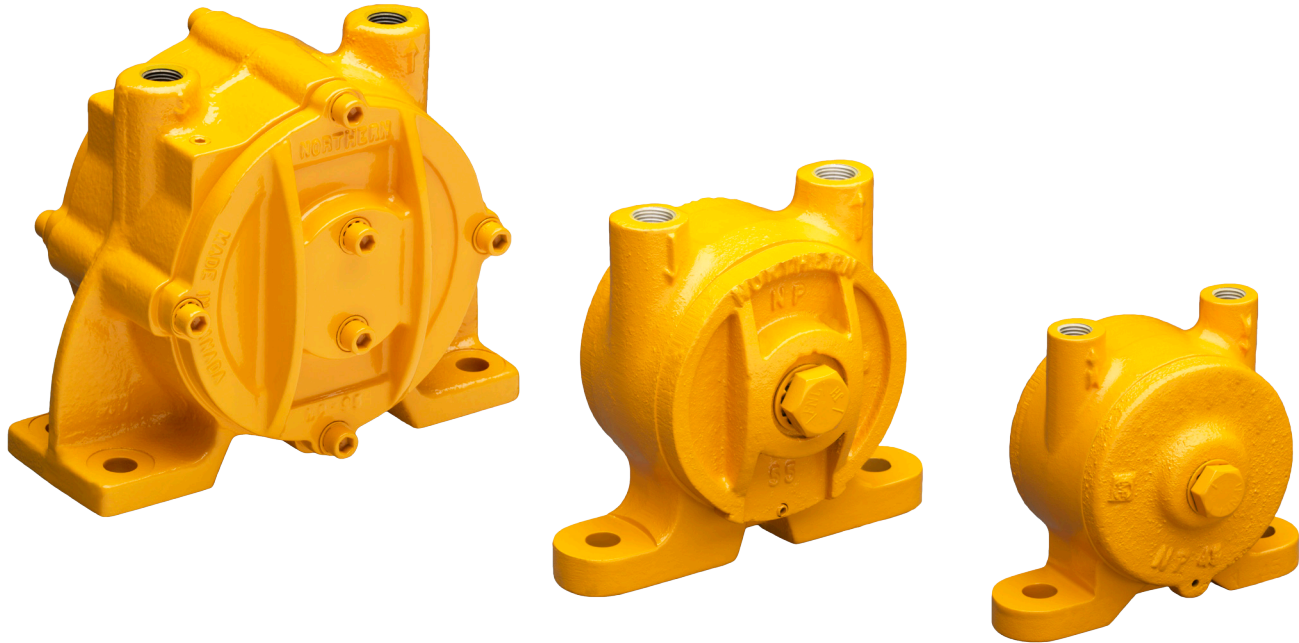


Cougar® Ring Vibrators



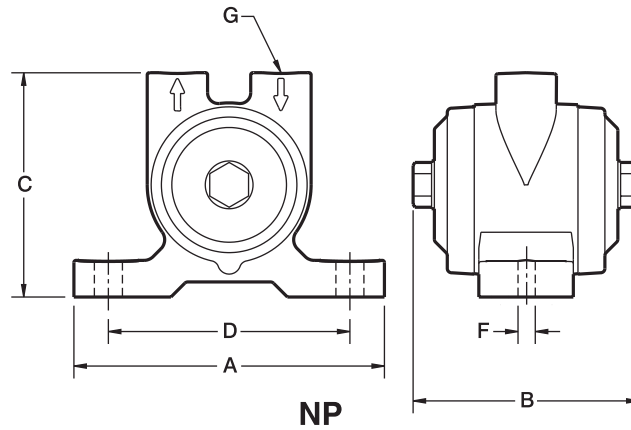
FEATURES

- One moving part – Ring on a hardened steel shaft
- No lubrication required
- Muffler standard
- Lower air consumption than comparable ball vibrators
- Energy conserving
- Excellent power to weight ratio
- Heavy duty cast housings
- 650°F temperature rating

Specify Cougar for:

- Cost effective solutions
- Expert technical assistance
- Complete service and support

TECHNICAL DATA SHEET



DIMENSIONS (inch)

| Model | A | B | C | Bolt Pattern | Bolt Size | Port NPT | Weight lbs |
|-------|-------|-------|-------|--------------|-----------|----------|------------|
| | | | | D | F | G | |
| NP-35 | 5.375 | 3.125 | 4.125 | 4 | 1/2 | 1/4 | 3.250 |
| NP-45 | 5.375 | 3.750 | 4.625 | 4 | 1/2 | 1/4 | 5.250 |
| NP-55 | 6.375 | 4.000 | 5.625 | 5 | 1/2 | 3/8 | 8.000 |
| NP-75 | 7.750 | 4.000 | 6.000 | 6 | 5/8 | 1/2 | 9.500 |

PERFORMANCE DATA

| Model | In. Lbs. | 40 PSI | | | 60 PSI | | | 80 PSI | | |
|-------|----------|--------|------------|-----|--------|------------|-----|--------|------------|-----|
| | | VPM | Force Lbs. | CFM | VPM | Force Lbs. | CFM | VPM | Force Lbs. | CFM |
| NP-35 | 0.098 | 18000 | 900 | 6 | 22500 | 1400 | 8 | 26000 | 1880 | 11 |
| NP-45 | 0.238 | 10000 | 675 | 10 | 15000 | 1525 | 13 | 17000 | 2000 | 16 |
| NP-55 | 0.406 | 14500 | 2425 | 11 | 15000 | 2600 | 15 | 16000 | 3000 | 20 |
| NP-75 | 1.000 | 7750 | 1700 | 30 | 9000 | 2300 | 33 | 10000 | 2840 | 39 |