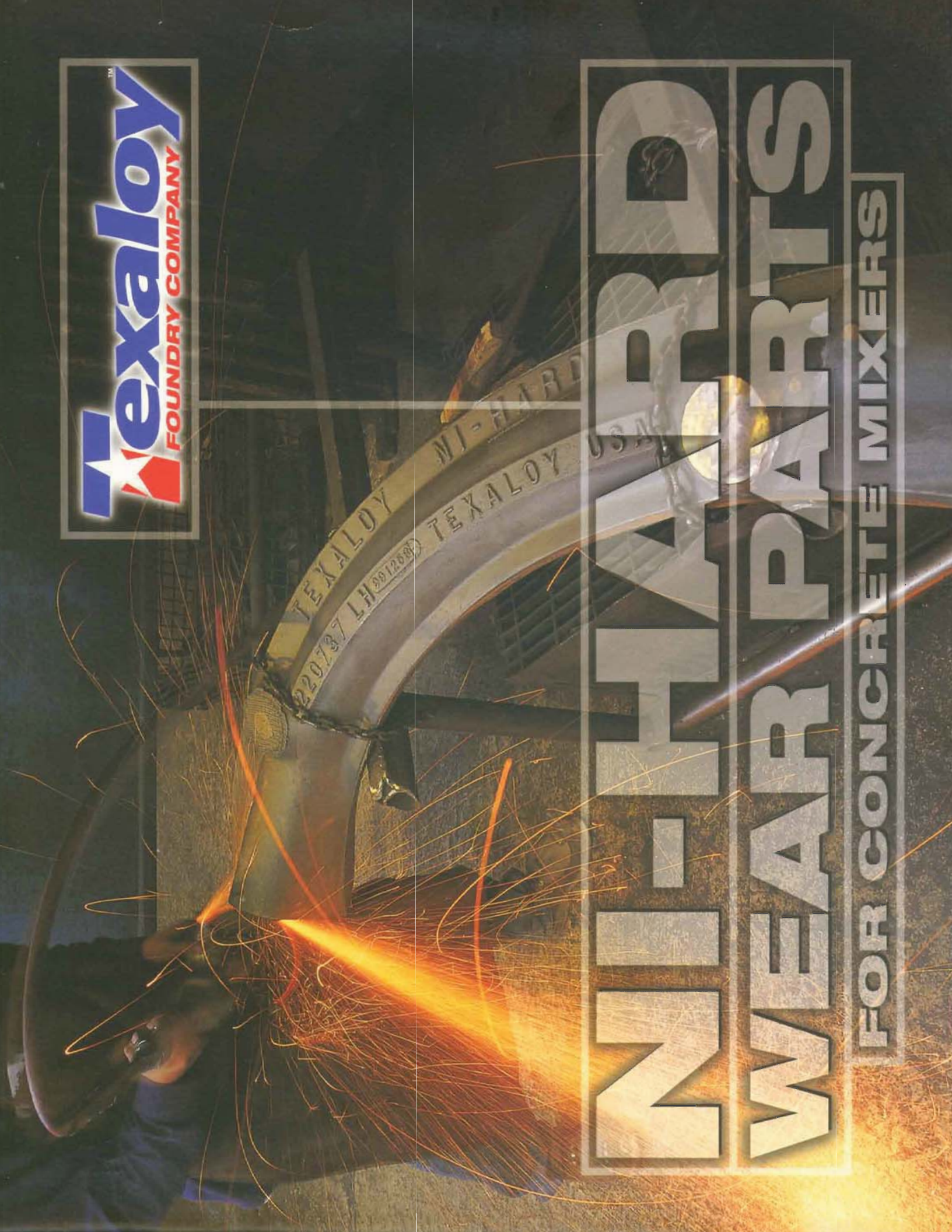




MI-HARD WEAR PARTS

FOR CONCRETE MIXERS



Texaloy Ni-Hard Wear Parts: In Over 80 Countries Throughout the World

Our attention to detail is unsurpassed, resulting in exceptional quality and outstanding customer service. With over a half century of experience producing the best Ni-Hard castings, Texaloy sets the industry standard. Our commitment to excellence is reflected in everything we do.

Call today and find out why Texaloy is the world leader.

830.393.4066 800.367.6518 FAX 830.393.7543 PO BOX 37
FLORESVILLE, TEXAS 78114-0089 WWW.TEXALOY.COM

2	Besser 50', 60'
4	Besser 80', 100', 120'
6	Besser 10 yard
7	Telka
8	Mixer Systems
9	The Story of Texaloy
13	Simem
14	Praschak 30', 50'
15	Praschak 75', 81', 100'
16	Go Corp 42', 50'
17	Go Corp 60', 75'
18	Stearns
19	Eirich/Femjert/Liebherr/ Schlosser/Schwing/Wiggert
20	Roto/Voeller
21	Log Washer Paddles/ Auger Wear Flights and Shoes

OEM NO. DESCRIPTION

- 1** 358685 Blade Liner - Left Tip
- 2** 358686 Blade Liner - Left Inside
- 3** 358687 Blade Liner - Left Heel
- 358688 Blade Liner - Right Tip (not shown)
- 358689 Blade Liner - Right Inside (not shown)
- 358690 Blade Liner - Right Heel (not shown)

PART NO.

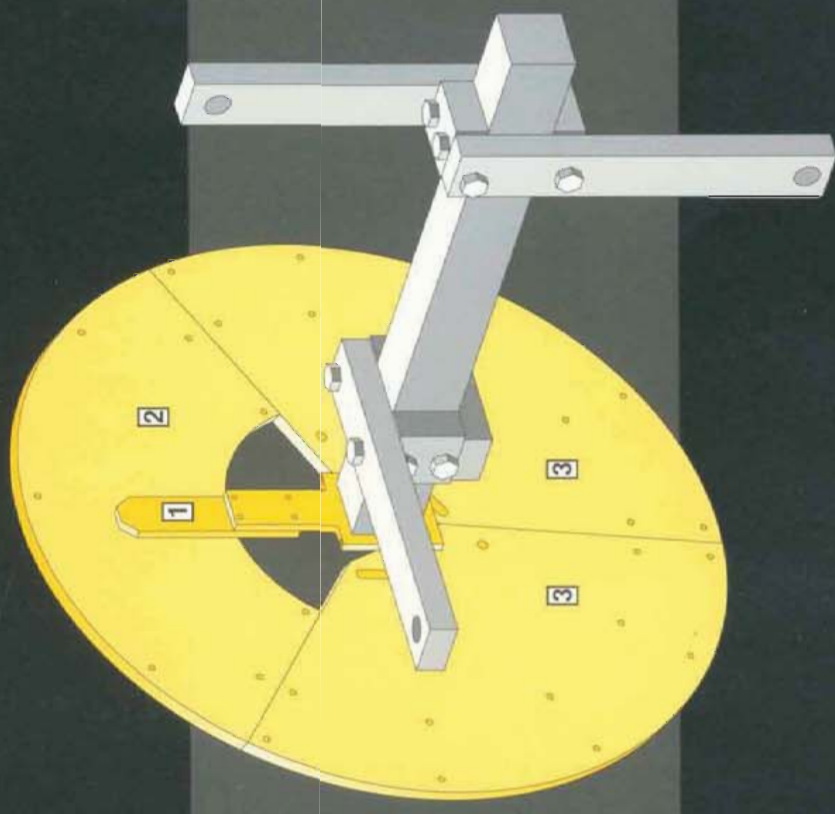
- BSBL-358685
- BSBL-358686
- BSBL-358687
- BSBL-358688
- BSBL-358689
- BSBL-358690

OEM NO. DESCRIPTION

- 1** 260187 Mixer Scraper

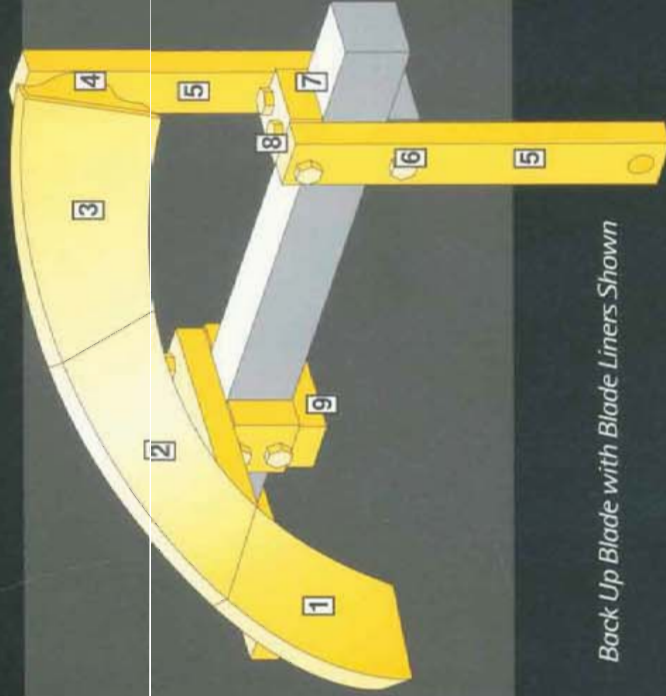
PART NO.

- BSS-260187



- 2** 259722 Top Section Head Liner (one required per end)
- 3** 296905 Head Liner (two required per end)

- BSL-259722
- BSL-296905

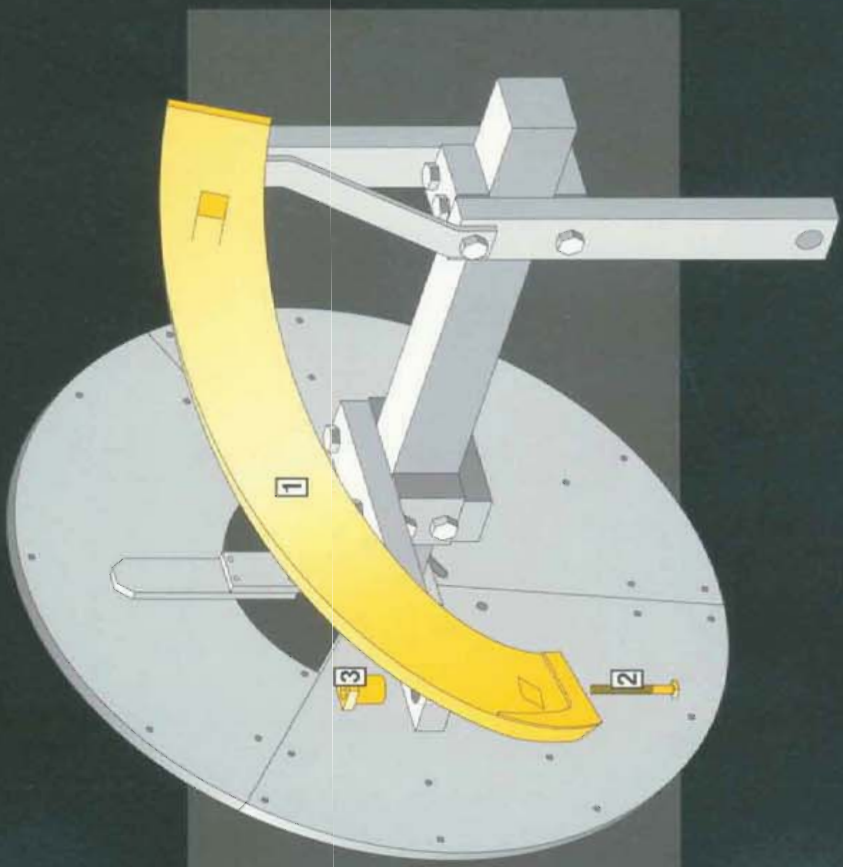


Back Up Blade with Blade Liners Shown

- 4** 356248 LH Back Up Blade
- 356247 RH Back Up Blade (not shown)
- 5** 008853 Blade Arm
- 6** 87168 Bolt 1 1/2" x 12"
- 7** 18727 Blade Arm Blocking
- 8** 87195 Bolt 1 1/4" x 13"
- 9** 18726 Blade Arm Strap

- BSBLB-356248
- BSBLB-356247
- BSA-008853
- BSBB-87168
- BSAB-18727
- BSBB-87195
- BSAS-18726

- | | | | |
|----------|----------------|----------------------------------|-----------------|
| 1 | DEM NO. | DESCRIPTION | PART NO. |
| | 76654 | LH Spiral Blade | BSB-76654 |
| 2 | 87393 | Sq. Head Blade Bolt 1 1/4" x 11" | BSBB-87393 |
| 3 | 229070 | Adj. Eccentric | BSBE-229070 |



Solid Blade Shown

- | | | |
|----------------|--------------------|-----------------|
| DEM NO. | DESCRIPTION | PART NO. |
| 76653 | RH Spiral Blade | BSB-76653 |



- | | | |
|----------------|--------------------|-----------------|
| DEM NO. | DESCRIPTION | PART NO. |
| 1 76654 | LH Spiral Blade | BSB-76654 |

- | | | |
|----------------|--------------------|---------------------|
| DEM NO. | DESCRIPTION | PART NO. |
| 2228 | 18" Drum Liner | A BSL-2228 |
| 2263 | 12" Drum Liner | B BSL-2263 |
| 2264 | 18" Door Liner | C BSL-2264 |
| 2229 | 12" Door Liner | D BSL-2229 |
| 302201 | 18" Probe Liner | E BSL-302201 |
| | Drum Liner Bolts | BSLB-50 (1) |



A	A	B	A	A
A	C	D	C	A
A	A	B	A	A
A	E	B	E	A
A	A	B	A	A
A	A	B	A	A
A	A	B	A	A

TEXALLOY FOUNDRY COMPANY MANUFACTURES REPLACEMENT PARTS TO FIT MACHINES MANUFACTURED BY THE COMPANIES LISTED IN THIS CATALOG. TEXALLOY IS NOT AFFILIATED WITH THESE COMPANIES; OUR CASTINGS ARE GENUINE TEXALLOY CASTINGS AND ARE MADE IN THE U.S.A.