

Foldable Liners



Argonics foldable liners are the simple and easy solution for protecting your chutes. Made with Kryptane® polyurethane, these liners eliminate the hassle of fitting and installing separate pieces. Simply fold, place, and weld!



FEATURES AND BENEFITS:

- Liner easily folds and installs in your chute with minimal labor
- Standard R80 formulation, with others available
- Available in thicknesses of 1/4"-1" thick
- Expanded metal back adds rigidity and helps to keep seams secure
- 1/2" wide weld strip
- Liners are lightweight and provide excellent abrasion resistance
- Easy-to-install liners reduce noise
- Ships flat - bend on site
- Easily drops into place
- Zero waste

TYPICAL APPLICATIONS:

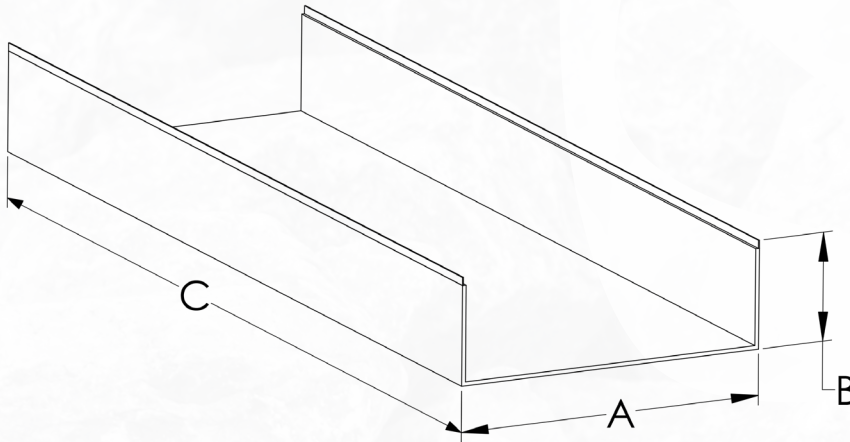
- Flumes
- Turnheads
- Chutes



Sizes and Availability

STANDARD SIZES

Foldable liners come standard in red 80 durometer, with other formulations available. Quick lead times when ordered to fit your application. Standard sizes have a maximum length of 10 feet. Unfolded, the liner can be no more than 4 feet wide. Custom sizes are available.



Specify lengths in inches

A: _____

B: _____

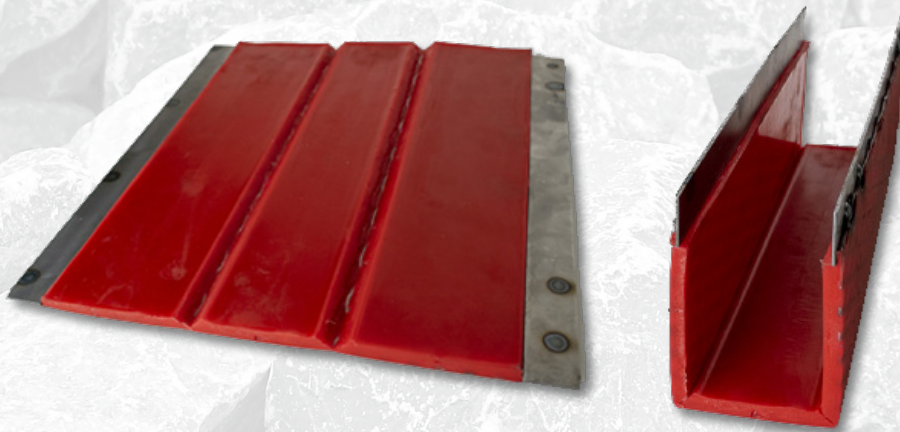
C: _____

Thickness: _____

Maximum dimensions

$A + B + B = \text{max of } 48 \text{ in.}$

$C = \text{max of } 120 \text{ in.}$



Jamieson Equipment
5314 Palmero Court
Buford, GA 30518
678.745.3020
www.jamiesonequipment.com