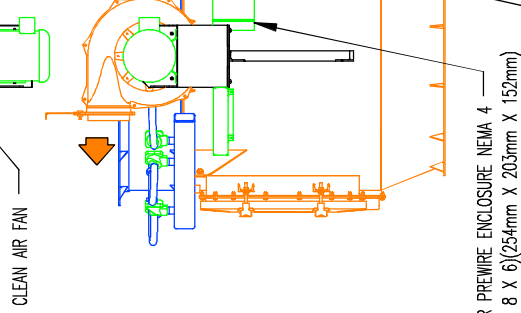
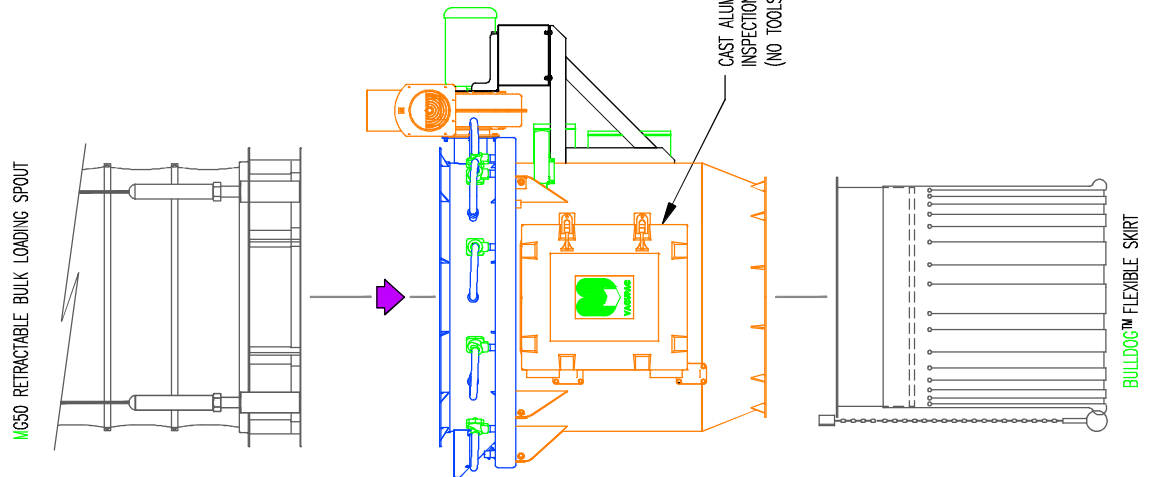
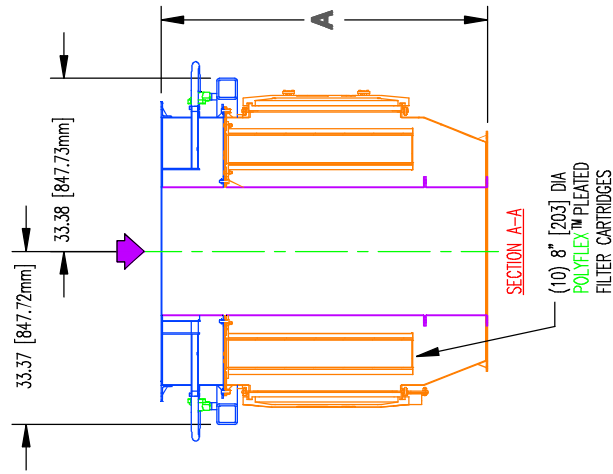
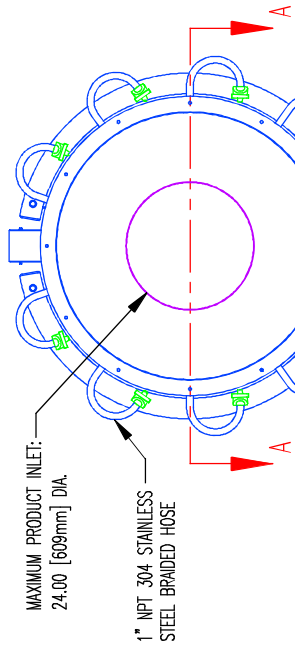
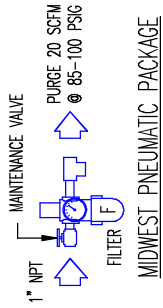


MIDWEST MACUPAC™ BUSTLE FILTER

FOR USE WITH MC50 BULK LOADING SPOUT
 DETAILS ARE SUBJECT TO CHANGE WITHOUT PRIOR NOTICE.
CAUTION: EXPLOSION PROOF CONSTRUCTION AVAILABLE
 CONSULT FACTORY FOR DETAILS AND PRICING



PURGE CONTROLLER ENCLOSURE NEMA 4 (16 X 12 X 8)
 (406mm X 305mm X 203mm) SOLID STATE PULSE CONTROL
 AND FILTER VACUUM GAUGE CONTINUOUS CLEAN, PHOTOELECTRIC
 PRESSURE DIFFERENTIAL WITH DIGITAL DISPLAY AND 4-20mA
 ANALOG OUTPUT INCLUDED.

MODEL	CFM	A/C RATIO	A	
			ENGLISH	METRIC
MVBF(A)	2000	2.9:1	63"IN	1600MM
MVBF(B)	2700	2.9:1	75"IN	1905MM
MVBF(C)	3400	2.9:1	87"IN	2210MM



AN AIR ECOLOGY COMPANY



Operational Headquarters
 Midwest Plaza, 105 Slower Rd.
 Charlevoix, Michigan 49720
 Phone (231) 547-4000
 Fax (231) 547-9453
 a division of
 ron pair enterprises, inc.

REF.
 SERIAL NO.
 JOB NO.
 SHEET NO.
 DRAWING NO. MVBF

PREPARED FOR:
 P.O. NO.
 DATE:
 TITLE: MC50 BUSTLE FILTER MODULE

DRAWN: BW DATE: 25 JAN 13 CHECKED: WP

This drawing and/or publication represents proprietary article and the designs, trade names or trademarks therein are either patented, have patents pending or are copyrighted internationally. Information appearing on this document remains the property of Ron Pair Enterprises, Inc. and is not to be reproduced without written authorization from an officer of this corporation.

REVISION
 NO. DATE: