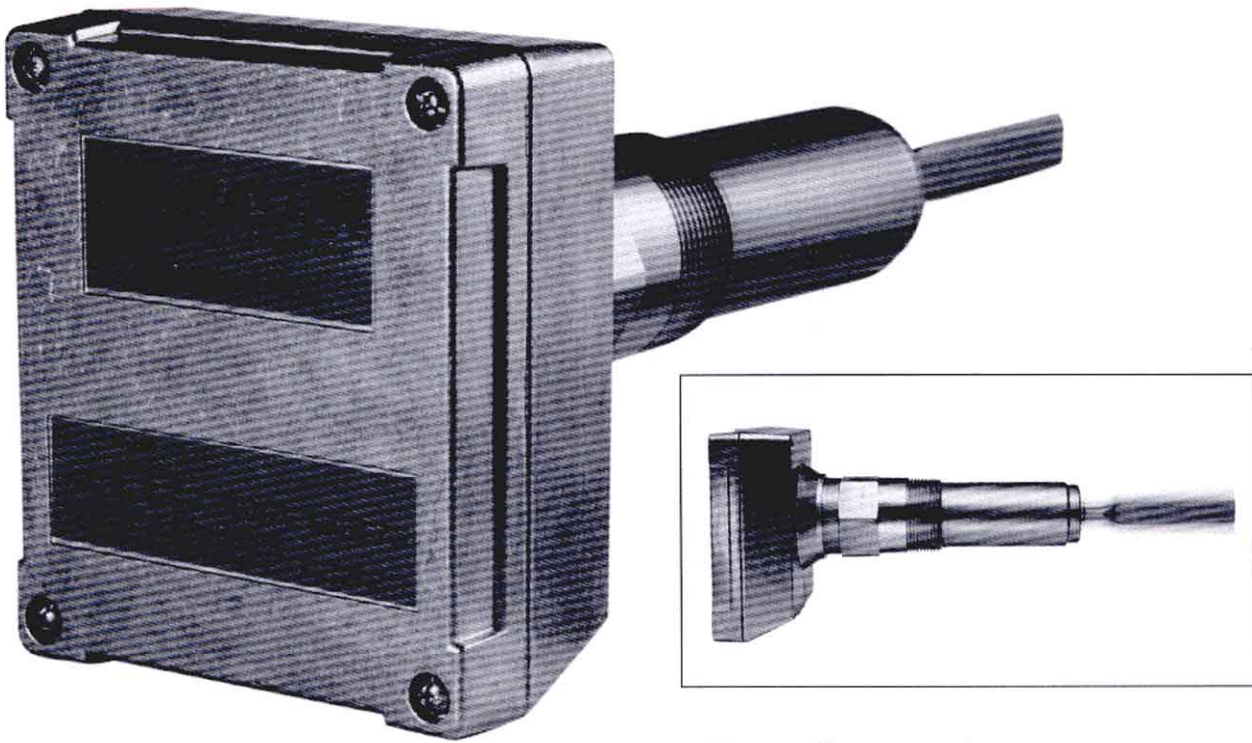
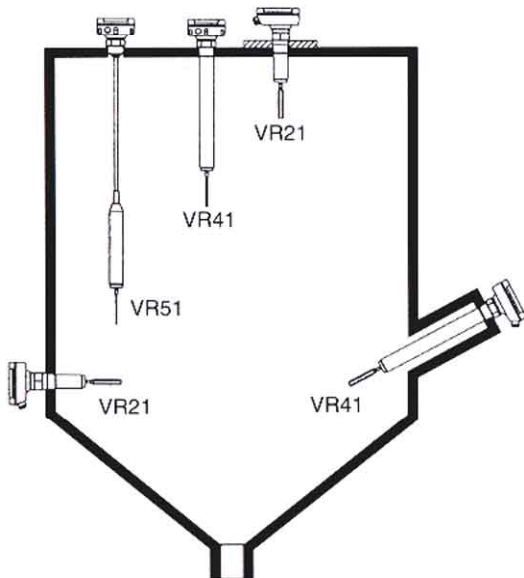


# BINMASTER

*Taking Control...To A Higher Level*



## VR Series Vibrating Sensors



- Suitable for High and Low Level Indication, or Plugged Chute Detection
- Detects Extremely Light, Fluffy Materials and Materials with Low Dielectric Constants
- Unique "Blade" Probe Design Reduces False Alarms Caused by Buildup
- Insertion length adjustable from 7.37" to 19.5'
- Switch Selectable High/Low Fail-Safe

## Principle of Operation

The VR Series Vibrating sensors are piezoelectric devices with a single blade shaped vibrating element. When material comes into contact with the probe, the vibration is dampened. This change is detected by the unit's electronics, activating a relay signal. Conversely, when the material falls away, the probe resumes normal vibration, and the relay switches back. Thus, the unit can be used for high or low level indication. The fail-safe indication is high/low switch selectable.

## Sensitivity and Buildup

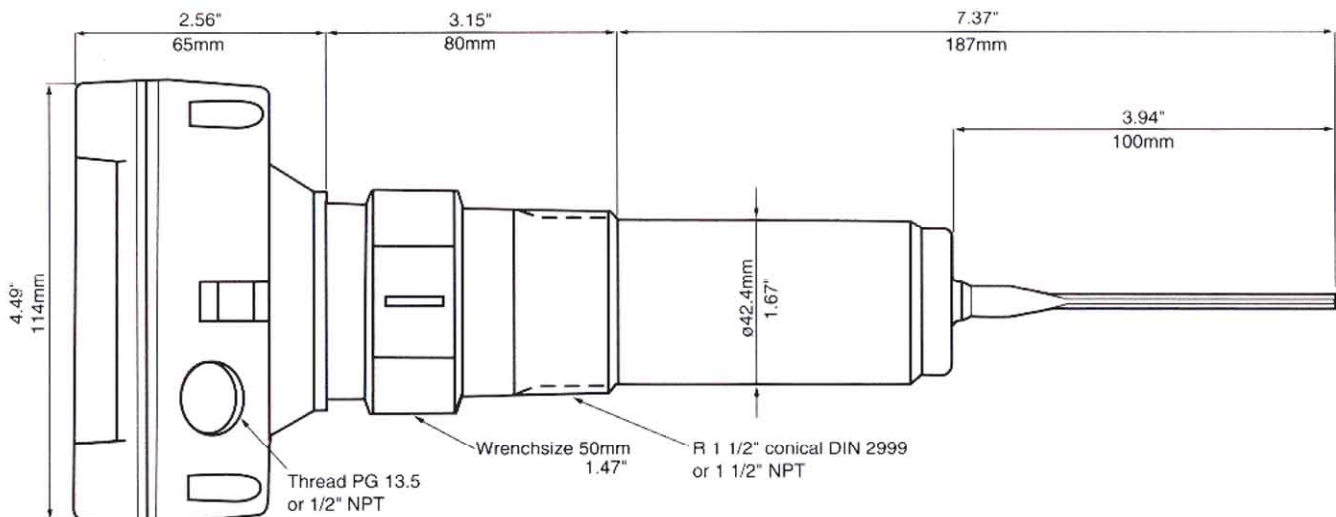
BinMaster's vibration sensors are tip sensitive, allowing them to overlook sidewall buildup. Piezoelectric devices are not recommended for use in sticky or stringy materials that will buildup on the probe assembly. All VR series sensors feature a low sensitivity setting for products that leave a light residue on the probe. The blade probe assembly is specifically designed to combat buildup on the probe, eliminating false alarms common with other piezoelectric devices.

## Options

The VR Series includes three different models. The VR 21 is our standard unit, with an insertion length of 7.37". The VR 41 is extendable up to 13', through the use of a solid extension tube. The VR 51 is extendable up to 19.5' through the use of a flexible cable extension. Remote electronics models are available for high temperature and high vibration applications.

## Specifications

Power Requirement:	115/230 VAC 50/60Hz 24VDC
Power Consumption:	2 VA
Output:	SPDT relay, 5A @ 250 VAC
Fail-Safe:	High/Low Switch Selectable
Operating Temperature	
Electronics:	-40 to 150° F (-40 to 65° C)
Process:	-40 to 190° F (-40 to 88° C)
Pressure:	500 psi
Sensitivity:	High/Low Switch Selectable
Time Delay:	1 sec. From stop of vibration 2-5 sec. From start of vibration
Enclosure:	Die Cast Aluminum
Probe:	304 SS, 7.37" -19.5' Insertion Length
Conduit Entry:	PG 13.5 or 1/2" NPT
Mounting:	1/2" NPT
Status Indicator:	Relay: Red LED on PCB Power: Yellow LED on PCB
Minimum Material Density:	2lb./cu. Ft. (32kg/m <sup>3</sup> )



# **BINMASTER**

*Taking Control...To A Higher Level*

Division of Garner Industries • 4200 N. 48th Street, Lincoln, NE 68504 • 1-800-278-4241 • 402-434-9102 • Fax: (402) 434-9133

[www.binmaster.com](http://www.binmaster.com)