





# Pneumatic End Mounted

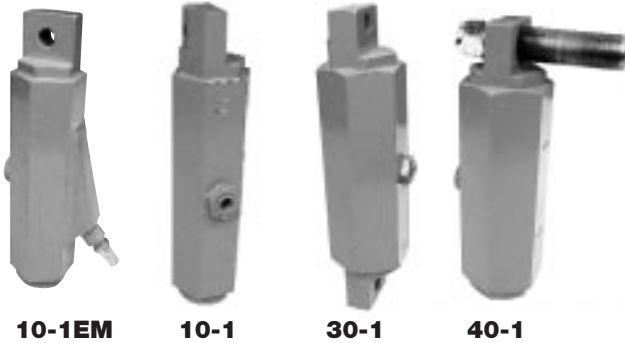
## “BIG RED”



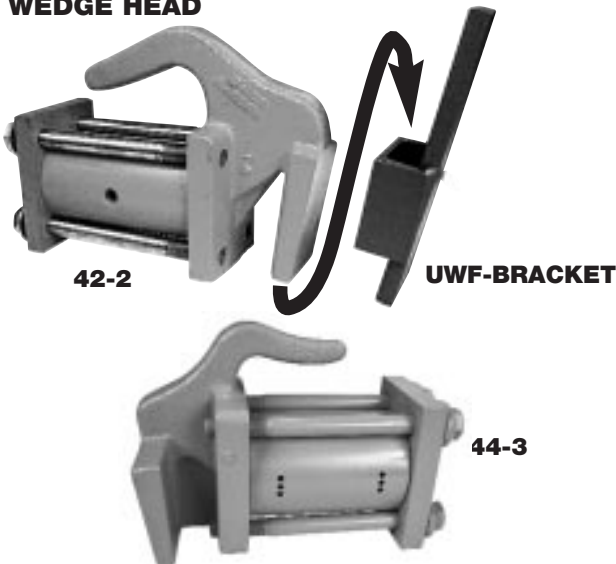
### END TAPPED



### END MOUNTED



### WEDGE HEAD



#### MODEL 80 END MOUNTED PISTON VIBRATOR - “BIG RED”:

The new revolutionary lightweight all steel design makes it the most inexpensive unit for the big bin or hopper job, without sacrificing the quality of the more expensive flange mounted units. The single bolt attachment makes them easy and fast to install. The “BIG RED” is supplied either with a silent (air cushioned) piston or the more powerful impacting (piston hitting end cap) standard unit.

O-rings cover the air exhaust holes keeping dust and dirt out of the piston chamber avoiding scoring and damage to piston and cylinder walls and allowing the units to operate in the worst environments. There are four basic models with piston sizes of 1”, 1-1/4”, 1-1/2” and 2”. For smaller sizes see Model 70. The eyebolt on top for a safety chain can be removed for other attachments.

**MODEL 70 END TAPPED VIBRATOR:** End tapped with inch or millimeter thread for attaching to threaded rod or stud. Model 70 can be supplied in many variations; silent (air cushioned) or impacting (piston hitting end cap) with exhaust port for attaching a muffler or air hose to lead off exhausting air. The all steel construction assures long life. Model 70 is an inexpensive solution for moving material in small bins and hoppers as well as screens and small feeders. Force and frequency will vary with air pressure. To order specify inch or millimeter thread; S - for Silent Units and EM - if Exhaust Manifold is required.

**MODEL 10 END MOUNTED PISTON VIBRATOR:** Single attaching head is the basic unit for foundry match plate applications. Available in 5/8, 3/4, 1, 1-1/4, & 1-1/2” piston diameter.

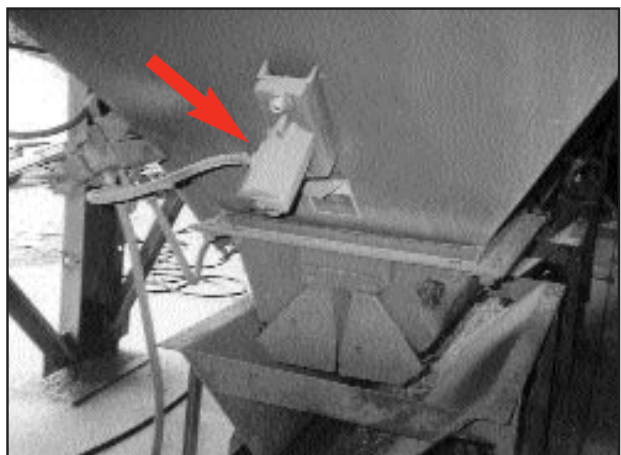
**MODEL 30 END MOUNTED PISTON VIBRATOR:** Double attaching head for core box machines and applications needing more vibration transfer.

**MODEL 40 END MOUNTED PISTON VIBRATOR:** Stud head vibrator ideal for easy movability on small concrete forms or bins.

**MODEL 42 WEDGE HEAD VIBRATOR:** VIBCO Wedge Head Portable Vibrators - High impact vibratory energy facilitates the placement of concrete within intricately shaped forms. Available in 2” piston size. Uses UWF-Female brackets.

**MODEL 44 WEDGE HEAD VIBRATOR:** Railroad carshakers have wedge bracket to fit railroad car’s female “dove-tail” bracket. Available in 3”. See page 41 and 42 for additional Railroad Carshakers.

All pneumatic piston vibrators require lubricated air for proper operation and long life.



# Piston Vibrators

## TECHNICAL DATA

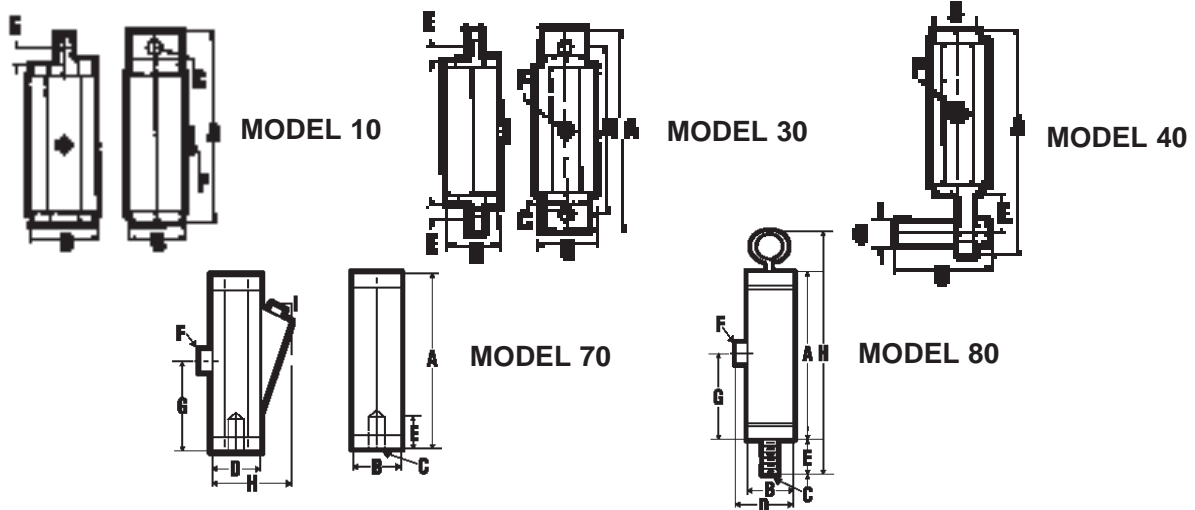
## MODEL 10, 30, 40, 42, 44, 70, 80

Piston Size	40 PSI (3 Bar)		60 PSI (4 Bar)		80 PSI (5 Bar)		*Contents in Bin
	CFM	VPM	CFM	VPM	CFM	VPM	
5/8	2.5	9500	3	12000	4.5	14500	Up to 100 lbs.
3/4	3	7500	3.5	10500	5	13000	100-200
1S	3.5	3900	4	5400	5	6600	100-200
1	3.5	6500	4	9000	5	11000	200-400
1 1/4S	5	2400	7	3300	9	4200	200-400
1 1/4	5	4000	7	5500	9	7000	400-1000
1 1/2S	6.5	1700	9	2400	11	3200	400-1000
1 1/2	6.5	2800	9	4000	11	5200	1000-4000
2S	7.5	1950	12	2400	15	3000	1000-4000
2	7.5	3200	12	4000	15	5000	4000-10000
3S	18	1650	25	1950	30	2300	8000-20000
3	18	2700	25	3200	30	3800	10000-30000

\*The following data is furnished as a guide in estimating the sizes of piston vibrators for standard hopper shapes containing dry, granular materials of 50 lbs/cu. ft. minimum bulk density. For other sizes and densities, contact VIBCO.

Note: Dimensions and data subject to change without notice.

Data shown is average test data & will vary with cleanliness of the compressed air, lubrication and stiffness of application.



## DIMENSIONS

MODEL	A Inch/mm	B Inch/mm	C Inch/mm	D Inch/mm	E Inch/mm	F Inch/mm	G Inch/mm	H* Inch/mm	I Inch/mm
80 - 1	4 1/2 114	1 1/2 38	1/2-20	2 1/8 54	1 25	1/8 - NPT	2 1/2 64	7 178	-
80 - 1-1/4	5 1/8 130	1 3/4 44	5/8-18	2 1/8 54	1 15/16 33	1/4 - NPT	2 9/16 71	9 9/16 237	-
80 - 1-1/2	6 152	2 51	5/8-18	2 1/2 64	1 15/16 33	1/4 - NPT	4 1/8 105	10 11/16 259	-
80 - 2	8 203	2 1/2 64	7/8-14	3 1/16 78	1 1/8 35	1/4 - NPT	4 1/8 105	11 1/2 292	-
70 - 5/8	4 3/4 120	1 1/4 32	5/16-24 M8x1.25	1 15/16 33	5/8 16	1/8 - NPT	2 5/8 60	2 5/8 60	1/4 - NPT
70 - 3/4	4 3/4 120	1 5/8 41	3/8-24 M10x1.5	1 5/8 41	5/8 16	1/8 - NPT	2 5/8 60	2 5/8 67	1/4 - NPT
70 - 1	4 3/4 120	1 7/8 48	1/2-20 M12x1.75	1 7/8 48	5/8 16	1/8 - NPT	2 5/8 60	2 7/8 74	1/4 - NPT
70 - 1-1/4	8 203	2 5/8 59	1/2-20 M12x1.75	2 5/8 59	5/8 16	1/4 - NPT	4 101	3 1/2 89	1/4 - NPT
40 - 1	6 9/16 157	1 1/8 48	1/2 13	2 3/4 70	7/16 11	1/8 - NPT	1/2 12	-	-
40 - 1-1/4	9 1/2 241	2 5/8 59	1 25	4 3/4 121	3/4 19	1/4 - NPT	1 25	-	-
30 - 5/8	6 9/16 160	1 1/4 32	5/16 8	1 5/16 33	1/2 12	1/8 - NPT	5 1/16 136	5 7/16 136	-
30 - 3/4	6 9/16 160	1 5/8 41	3/8 10	1 5/16 33	1/2 12	1/8 - NPT	5 1/16 136	5 7/16 136	-
30 - 1	6 9/16 167	1 7/8 48	3/8 10	1 7/8 48	1/2 12	1/8 - NPT	5 1/16 136	6 9/16 162	-
30 - 1-1/4	10 1/2 267	2 5/8 59	1/2 12	2 5/8 59	1 1/16 17	1/4 - NPT	9 1/8 228	9 1/8 232	-
30 - 1-1/2	11 3/8 289	2 7/8 73	5/8 16	2 9/16 73	7/8 22	1/8 - NPT	9 1/2 241	9 1/2 241	-
10 - 5/8	5 1/2 140	1 1/4 38	5/16 8	1 5/16 33	1/2 12	1/8 - NPT	-	-	-
10 - 3/4	5 1/2 140	1 5/8 41	3/8 10	1 5/8 35	1/2 12	1/8 - NPT	-	-	-
10 - 1	5 5/8 143	1 7/8 48	3/8 10	1 7/8 48	1/2 12	1/8 - NPT	-	-	-
10 - 1-1/4	9 1/4 235	2 5/8 59	1/2 12	2 5/8 59	1 1/16 18	1/4 - NPT	-	-	-
10 - 1-1/2	9 11/16 246	2 1/2 64	5/8 16	2 15/16 75	7/8 22	1/4 - NPT	-	-	-

\*For EM Models. Note: Dimensions and data subject to change without notice.

