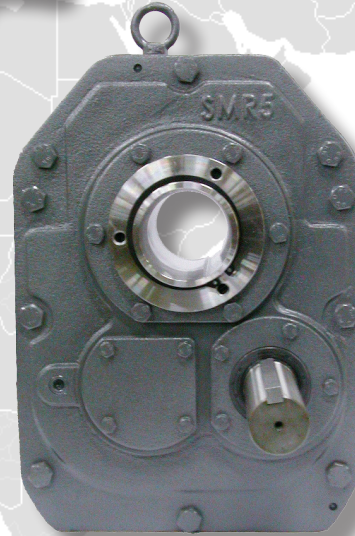
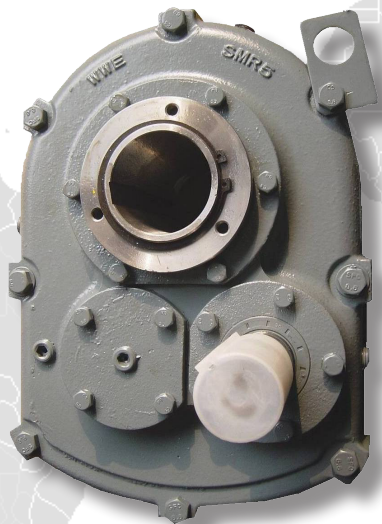
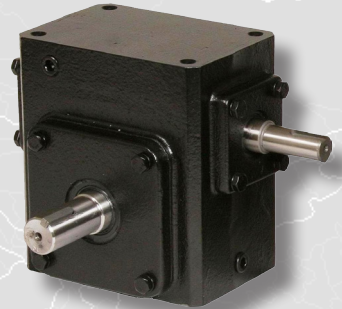
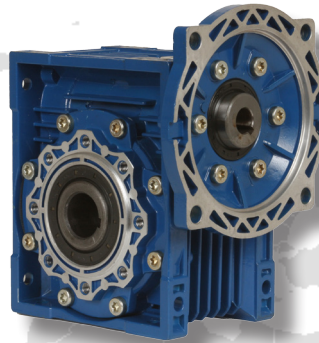




# WorldWide Electric Corporation

## *Gear Reducer Products*



For more information please contact:



P.O. Box 307, Pittsford, NY 14534

Phone: 800-808-2131 x5

Fax: 800-771-1616

[www.worldwideelectric.net](http://www.worldwideelectric.net)

# WORLDWIDE ELECTRIC CORPORATION

## Table Of Contents



SHAFT MOUNT REDUCERS	PAGE	MULTIPLIER
"Original" Shaft Mount Reducer		_____
Product Overview	1	
Output Shaft Overhung Load Ratings	1	
Mechanical Ratings	2-4	
Dimensions	5	
"Ultimate" Shaft Mount Reducer		_____
Product Overview	6	
Output Shaft Overhung Load Ratings	6	
Mechanical Ratings	7-9	
Dimensions	10	
Competitive Interchange	11	
Accessories		_____
Tapered Bushing Kits	12	
Backstop Assemblies	13	
Motor Mounts	13	
Torque Arms	13	
Rebuild Kit	14	
Belt Guards	14	
HEAVY DUTY CAST IRON WORM GEAR REDUCERS	PAGE	MULTIPLIER
Heavy Duty Cast Iron Worm Gear Reducers		_____
Product Overview	15-16	
How To Order	15	
Mechanical Ratings	17-18	
Flange Input - Shaft Output	19-20	
Dimensions	21-22	
Flange Input - Hollow Bore Output	23-24	
Dimensions	25	
Shaft Input - Shaft Output	26	
Dimensions	27	
Competitive Interchange	28	
Accessories		
Mounting Bases	29	
Aluminium Worm Gear Reducers		_____
Product Overview	30-32	
Mechanical Ratings	33-34	
Dimensions	35	
Accessories		
Output Flanges	36	
Single Output Shafts	36	
Double Output Shafts	36	
Torque Arms	36	



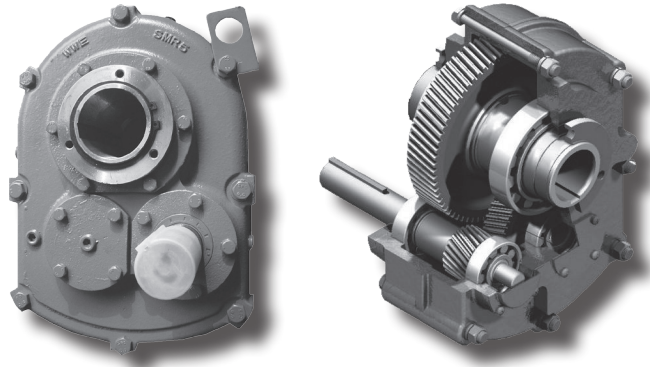
# WORLDWIDE GEAR REDUCERS

## Shaft Mount Reducers

### "Original" Shaft Mount Reducer Product Overview



SHAFT MOUNT REDUCERS



#### Product Overview

- 15:1 and 25:1 Ratios
- Box Sizes 2 - 9
- Tapered Bushing Type (Bushing Not Included)
- Premium Quality Ball and Tapered Bearings - Double Lip Seals
- Shafts and Gears Manufactured from High Grade Steel, Case Hardened and Precision Ground to AGMA Standards
- Industrial Grade All-Cast Iron Housings Protect Gearing For Life
- Extended Gear Centers and Tooth Contact
- Metal Reinforced Double Lip, Spring Loaded Oil Seals
- Dimensional Drop-In For All Major Makes
- Torque Arm Included
- 2 Year Warranty

BOX SIZE	RATIO	OUTPUT BORE (MAX)	APPROXIMATE WEIGHT	MODEL NUMBER	LIST PRICE
2	15:1	1-15/16"	58	SMR2-15:1	\$911.03
	25:1			SMR2-25:1	
3	15:1	2-3/16"	98	SMR3-15:1	\$1,618.21
	25:1			SMR3-25:1	
4	15:1	2-7/16"	139	SMR4-15:1	\$2,188.72
	25:1			SMR4-25:1	
5	15:1	2-15/16"	207	SMR5-15:1	\$3,287.05
	25:1			SMR5-25:1	
6	15:1	3-7/16"	285	SMR6-15:1	\$4,295.00
	25:1			SMR6-25:1	
7	15:1	3-15/16"	462	SMR7-15:1	\$6,854.00
	25:1			SMR7-25:1	
8	15:1	4-7/16"	633	SMR8-15:1	\$11,654.00
	25:1			SMR8-25:1	
9	15:1	4-15/16"	760	SMR9-15:1	\$15,286.00
	25:1			SMR9-25:1	

#### Output Shaft Overhung Load Ratings

Box Size	Shaft Size	Overhung Load (lbs.) At Various RPMs										
		10	20	30	50	80	100	120	140	160	180	200
2	1-7/16	2000	1510	1270	1010	840	820	720	720	710	710	700
	1-15/16	1750	1320	1110	890	730	710	630	630	620	620	610
3	1-15/16	5400	4250	3680	3050	2620	2440	2310	2210	2110	2040	1980
	2-3/16	5240	4120	3570	2960	2540	2370	2240	2140	2050	1980	1920
4	2-3/16	6520	5180	4510	3800	3230	3000	2830	2710	2600	2510	2430
	2-7/16	6360	5060	4410	3710	3160	2930	2770	2640	2530	2450	2370
5	2-7/16	7460	5860	5080	4280	3690	3450	3270	3110	2980	2880	2790
	2-15/16	7060	5540	4800	4040	3490	3260	3090	2940	2820	2720	2640
6	2-15/16	9100	7100	6100	5000	4100	4050	3700	3550	3400	3300	3200
	3-7/16	8200	6400	5500	4500	3700	3650	3400	3300	3250	3200	3150
7	3-7/16	11400	9500	7300	5950	4750	5050	4500	4300	4250	4200	4150



# WORLDWIDE GEAR REDUCERS

## Shaft Mount Reducers

*"Original" Shaft Mount Reducer*  
*Mechanical Ratings*



SHAFT MOUNT REDUCERS

Reducer Model Number	Service Class I			Service Class II			Service Class III		
	Power (HP)	Output (RPM)	Output * Torque	Power (HP)	Output (RPM)	Output * Torque	Power (HP)	Output (RPM)	Output * Torque
SMR2-15/1	2	18-32	6700-3769	1.5	19-34	4761-2660	1.5	27-51	3350-1774
	3	27-51	6700-3547	2	25-47	4824-2566	2	37-71	3260-1699
	5	71-85	4247-3547	3	39-75	4639-2412	3	58-113	3119-1601
	7.5	75-140	6030-3230	5	70-136	4307-2217	5	104-140	2899-2154
SMR2-25/1	10	104-140	5798-4307	7.5	111-140	4074-3230	---	---	---
	0.5	4-6	7538-5025	0.33	4-6	5025-3350	0.25	4-6	3769-2513
	0.75	6-10	7538-4523	0.5	6-9	5025-3350	0.33	5-9	4020-2233
	1	8-15	7538-4020	0.75	9-16	5025-2827	0.5	8-15	3769-2010
	1.5	13-23	6958-3933	1	12-22	5025-2741	0.75	13-23	3479-1966
	2	18-32	6700-3769	1.5	19-34	4761-2660	1	18-32	3350-1884
	3	27-51	6700-3547	2	25-47	4824-2566	1.5	27-51	3350-1774
SMR3-15/1	5	47-70	6415-4307	3	39-75	4639-2412	2	37-71	3260-1699
	7.5	75-85	6030-5321	5	70-85	4307-3547	3	58-85	3119-2128
	5	27-46	11167-6555	2	15-24	8040-5025	2	22-36	5482-3350
	7.5	41-74	11031-6112	3	23-38	7865-4761	3	33-57	5482-3174
	10	57-103	10579-5855	5	38-69	7934-4370	5	57-103	5290-2927
SMR3-25/1	15	94-140	9623-6461	7.5	60-110	7538-4111	7.5	94-140	4811-3230
	---	---	---	10	85-140	7094-4307	---	---	---
	0.75	4-5	11307-9045	0.5	4-5	7538-6030	0.5	6-7	5025-4307
	1	6-7	10050-8615	0.75	6-8	7538-5653	0.75	8-12	5653-3769
	1.5	8-12	11307-7538	1	8-11	7538-5482	1	11-17	5482-3547
	2	11-17	10964-7094	1.5	12-18	7538-5025	1.5	16-26	5653-3479
	3	16-26	11307-6958	2	15-24	8040-5025	2	22-36	5482-3350
	5	27-46	11167-6555	3	23-38	7865-4761	3	33-57	5482-3174
SMR4-15/1	7.5	41-74	11031-6112	5	38-69	7934-4370	5	57-85	5290-3547
	10	57-85	10579-7094	7.5	60-85	7538-5321	---	---	---
	5	18-26	16750-11596	3	15-22	12060-8223	3	21-32	8615-5653
	7.5	27-40	16750-11307	5	25-37	12060-8149	5	37-56	8149-5384
	10	37-56	16298-10768	7.5	39-59	11596-7665	7.5	57-93	7934-4863
	15	57-93	15869-9726	10	53-84	11378-7179	10	79-141	7633-4277
SMR4-25/1	20	79-140	15266-8615	15	83-140	10898-6461	---	---	---
	25	102-140	14780-10768	---	---	---	---	---	---
	1	4-5	15075-12060	0.75	4-5	11307-9045	0.5	4-5	7538-6030
	1.5	5-7	18091-12922	1	5-7	12060-8515	0.75	5-7	9045-6461
	2	7-10	17229-12060	1.5	7-11	12922-8223	1	7-10	8615-6030
	3	11-15	16446-12060	2	10-14	12060-8615	1.5	11-15	8223-6030
	5	18-26	16750-11596	3	15-22	12060-8223	2	14-21	8615-5743
	7.5	27-40	16750-11307	5	25-37	12060-8149	3	21-32	8615-5653
	10	37-56	16298-10768	7.5	39-59	11596-7665	5	37-56	8149-5384
	15	57-85	15869-10641	10	53-84	11378-7179	7.5	57-85	7934-5321
20	79-85	15266-14189	---	---	---	---	---	---	

Continued On Next Page



# WORLDWIDE GEAR REDUCERS

## Shaft Mount Reducers

*"Original" Shaft Mount Reducer  
Mechanical Ratings (Continued)*



SHAFT MOUNT  
REDUCERS

Reducer Model Number	Service Class I			Service Class II			Service Class III		
	Power (HP)	Output (RPM)	Output * Torque	Power (HP)	Output (RPM)	Output * Torque	Power (HP)	Output (RPM)	Output * Torque
SMR5-15/1	10	21-36	28715-16750	7.5	22-38	20557-11902	5	21-36	14358-8375
	15	33-56	27410-16152	10	30-52	20101-11596	7.5	33-56	13705-8076
	20	46-78	26218-15462	15	48-82	118844-11031	10	46-78	13109-7731
	25	60-101	25126-14926	20	69-117	17479-10308	15	76-125	11902-7236
	30	76-125	23803-14472	25	95-125	15869-12060	20	115-125	10487-9648
	40	115-125	20975-19297	---	---	---	---	---	---
SMR5-25/1	1.5	4	22613	1.5	5-6	18091-15075	0.75	4	11307
	2	4-6	30151-20101	2	6-9	20101-13400	1	4-6	15075-10050
	3	6-10	30151-18091	3	9-14	20101-12922	1.5	6-10	15075-9045
	5	10-17	30151-17736	5	15-24	20101-12563	2	8-13	15075-9277
	7.5	16-26	28266-17395	7.5	22-38	20557-11902	3	13-20	13916-9045
	10	21-36	28715-16750	10	30-52	20101-11596	5	21-36	14358-8375
	15	33-56	27410-16152	15	48-82	18844-11031	7.5	33-56	13705-8076
	20	46-78	26218-15462	20	69-80	17479-15075	10	46-78	13109-7731
25	60-80	25126-18844	---	---	---	---	---	---	
SMR6-15/1	15	20-32	45226-28266	10	19-29	31738-20794	7.5	20-32	22613-14133
	20	27-45	44668-26801	15	28-47	32304-19245	10	27-45	22334-13400
	25	34-59	44339-25552	20	39-68	30924-17736	15	42-75	21536-12060
	30	42-75	43073-24121	25	50-94	30151-16038	20	58-114	20794-10579
	40	58-114	41587-21158	30	61-125	29657-14472	25	75-125	20101-12060
	50	75-125	40201-24121	40	89-120	27102-20101	30	99-125	18276-14472
SMR6-25/1	3	4-5	45226-36181	2	4-5	30151-24121	1.5	4-5	22613-18091
	5	7-9	43073-33501	3	6-8	30151-22613	2	5-7	24121-17229
	7.5	10-15	45226-30151	5	9-14	33501-21536	3	8-12	22613-15075
	10	13-20	46386-30151	7.5	14-21	32304-21536	5	13-20	23193-15075
	15	20-32	45226-28266	10	19-29	31738-20794	7.5	20-32	22613-14133
	20	27-45	44668-26801	15	28-47	32304-19245	10	27-45	22334-13400
	25	34-59	44339-25552	20	39-68	30924-17736	15	42-75	21536-12060
	30	42-75	43073-24121	25	50-80	30151-18844	20	58-70	20794-17229
40	58-81	41587-29779	30	61-76	29657-23803	---	---	---	
SMR7-15/1	20	19-26	63480-46392	20	27-38	44664-31740	10	19-26	31740-23196
	25	24-33	62820-45684	25	34-49	44340-30768	15	29-41	31188-22056
	30	29-41	62388-44124	30	42-60	43068-30156	20	39-57	30924-21156
	40	39-57	61848-42312	40	57-88	42312-27408	25	50-74	30156-20376
	50	50-74	60300-40740	---	---	---	30	61-98	29652-18456
	---	---	---	---	---	---	40	85-89	28380-27108
SMR7-25/1	5	5-6	60300-50256	3	4-5	45228-36180	3	6-7	30156-25848
	7.5	7-9	64608-50256	5	7-8	43068-37692	5	9-12	33504-25128
	10	9-12	67008-50256	7.5	10-13	45228-34788	7.5	14-19	32304-23808
	15	14-19	64608-47604	10	13-18	46392-33504	10	19-26	31740-23196
	20	19-26	63480-46392	15	20-27	45228-33504	15	29-41	31188-22056
	25	24-33	62820-45684	20	27-38	44664-31740	20	39-57	30924-21156
	30	29-41	62388-44124	25	34-49	44340-30768	25	50-74	30156-20376
	40	39-57	61848-42312	30	42-60	43068-30156	30	61-70	29652-25848
	50	50-74	60300-40740	40	57-75	42312-32160	---	---	---

Continued On Next Page



# WORLDWIDE GEAR REDUCERS

## Shaft Mount Reducers

*"Original" Shaft Mount Reducer  
Mechanical Ratings (Continued)*



SHAFT MOUNT REDUCERS

Reducer Model Number	Service Class I			Service Class II			Service Class III		
	Power (HP)	Output (RPM)	Output * Torque	Power (HP)	Output (RPM)	Output * Torque	Power (HP)	Output (RPM)	Output * Torque
SMR8-15/1	30	20-28	90456-64608	25	23-33	65544-45684	15	20-28	45228-32304
	40	26-38	92772-63480	30	28-41	64608-44124	20	26-38	46392-31740
	50	33-49	91368-61536	40	37-56	65196-43068	25	33-49	45684-30768
	60	40-60	90456-60300	50	47-72	64152-41880	30	40-60	45228-30156
	75	51-70	88680-64608	60	57-89	63480-40656	40	54-84	44664-28716
	---	---	---	75	74-75	61116-60300	50	70-110	43068-27408
	---	---	---	---	---	---	60	86-115	42072-31464
SMR8-25/1	7.5	4-6	113064-75384	5	4-6	75384-50256	3	4-5	45228-36180
	10	6-8	100500-75384	7.5	6-9	75384-50256	5	6-8	50256-37692
	15	9-13	100500-69576	10	8-12	75384-50256	7.5	9-13	50256-34788
	20	13-18	92772-67008	15	13-19	69576-47604	10	13-18	46392-33504
	25	16-23	94224-65544	20	18-26	67008-46392	15	20-28	45228-32304
	30	20-28	90456-64608	25	23-33	65544-45684	20	26-38	46392-31740
	40	26-38	92772-63480	30	28-41	64608-44124	25	33-49	45684-30768
	50	33-49	91368-61536	40	37-56	65196-43068	30	40-60	45228-30156
	60	40-60	90456-60300	50	47-72	64152-41880	40	54-70	44664-34464
75	51-70	88680-64608	60	57-75	63480-48240	50	70-75	43068-40200	
75	---	---	75	74-75	61116-60300	---	---	---	
SMR9-15/1	40	19-25	126948-96480	30	20-27	90456-67008	20	19-25	63480-48240
	50	23-32	131088-94224	40	26-36	92772-67008	25	23-32	65544-47112
	60	28-39	129216-92772	50	33-46	91368-65544	30	28-39	64608-46392
	75	35-50	129216-90456	60	40-56	90456-64608	40	38-53	63480-45516
	---	---	---	75	50-73	90456-61956	50	47-69	64152-43692
	---	---	---	---	---	---	60	57-85	63480-42564
SMR9-25/1	10	5	120600	7.5	5	90456	5	5	60300
	15	7-8	129216-113064	10	6-7	100500-86148	7.5	7-8	64608-56532
	20	9-12	134004-100500	15	10-12	90456-75384	10	9-12	67008-50256
	25	11-15	137052-100500	20	13-17	92772-70944	15	14-19	64608-47604
	30	14-19	129216-95220	25	16-22	94224-68520	20	19-25	63480-48240
	40	19-25	126948-96480	30	20-27	90456-67008	25	23-32	65544-47112
	50	23-32	131088-94224	40	26-36	92772-67008	30	28-39	64608-46392
	60	28-39	129216-92772	50	33-46	91368-65544	40	38-53	63480-45516
	75	35-50	129216-90456	60	40-56	90456-64608	50	47-69	64152-43692
	---	---	---	75	50-73	90456-61956	60	57-75	63480-48240



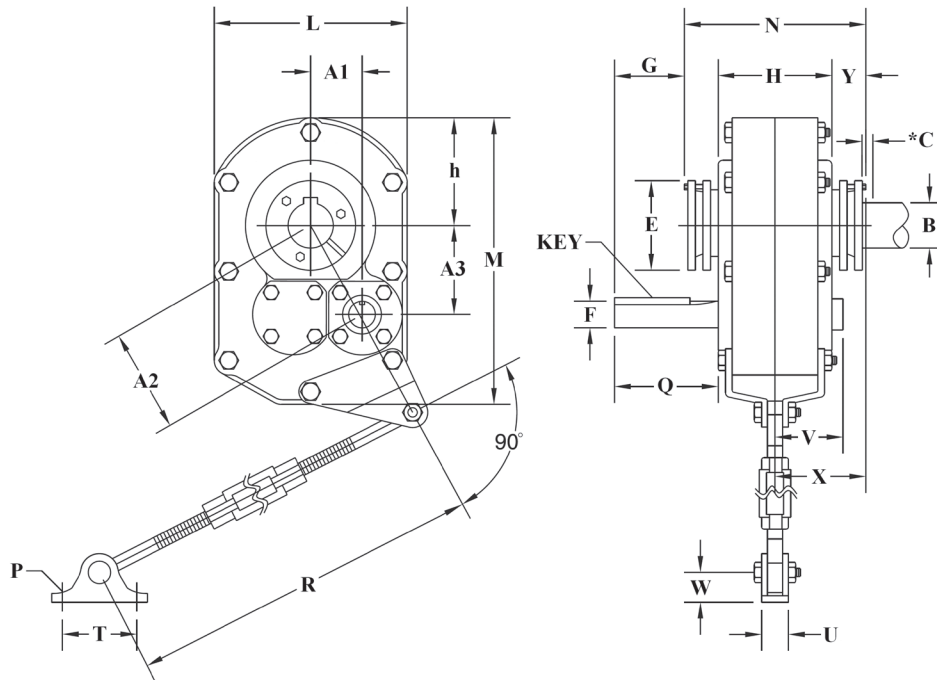
# WORLDWIDE GEAR REDUCERS

## Shaft Mount Reducers

"Original" Shaft Mount Reducer  
Dimensions



SHAFT MOUNT REDUCERS



ALL DIMENSIONS IN INCHES

Box Size	L M	N	F Key	B Max.	C	E G	W U	X V	Q Y	H	A1 A2	A3 h	R Min. R Max.	P T
2	8.38	7.32	1.13	1-15/16"	1.25	4.06	1.06	3.68	3.59	4.56	2.14	3.75	26.94	0.44
	11.41		0.25 x 0.13 x 2.50			2.22	1.25	2.89	1.4		4.32	4.09	32.94	3
3	9.25	9.22	1.25	2-3/16"	1.5	4.38	1.06	4.52	4.34	5.63	2.33	4.17	26.94	0.44
	12.88		0.25 x 0.13 x 2.88			2.34	1.25	3.3	1.59		4.78	4.84	32.94	3
4	10.38	9.98	1.44	2-7/16"	1.75	4.81	1.75	4.79	5.57	6.13	2.76	4.79	29.19	0.55
	15.13		0.38 x 0.19 x 4.06			3.44	1.44	3.41	1.72		5.53	5.5	35.19	4
5	13.13	10.52	1.94	2-15/16"	1.81	5.63	1.75	5.05	5.74	6.31	3.04	5.67	29.19	0.5
	18.31		0.50 x 0.25 x 4.50			3.44	1.44	4.45	1.91		6.43	6.56	35.19	4
6	15.13	11.53	2.19	3-7/16"	1.81	6.13	2	5.73	6.08	6.88	4.09	6.71	29.19	0.63
	21.31		0.50 x 0.25 x 4.50			3.73	2.75	4.57	2.3		7.88	7.56	35.19	4.75
7	18.75	12.85	2.44	3-15/16"	2.06	7.25	2	6.38	6.35	7.75	5.11	8.3	29.44	0.63
	25.94		0.63 x 0.31 x 4.75			3.75	2.75	4.69	2.5		9.74	9.38	35.44	4.75
8	20.25	14.03	2.44	4-7/16"	2.06	7.75	3.13	7.04	7.11	8.37	6.03	9.5	30	0.75
	28.25		0.63 x 0.31 x 5.38			4.31	4	5.85	2.86		11.25	10.13	36	7
9	22.63	14.12	2.44	4-15/16"	2.44	8.75	3.13	7.04	9.65	8.12	6.59	10.81	30	0.75
	31.69		0.63 x 0.31 x 7.75			6.63	4	5.66	2.98		12.66	11.31	36	7

Dimensions shown in this catalog are for general use only.  
For an exact drawing on a specific rating, please contact our sales office.



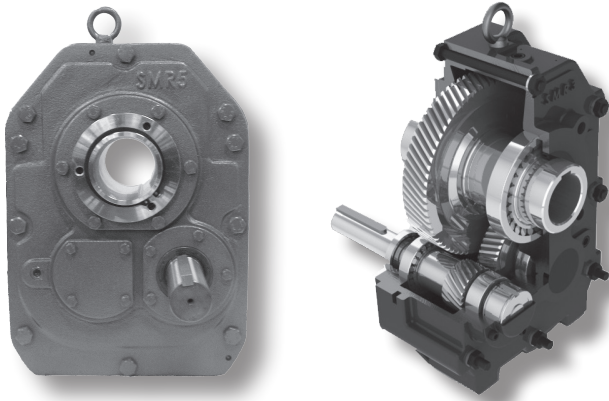
# WORLDWIDE GEAR REDUCERS

## Shaft Mount Reducers

### "Ultimate" Shaft Mount Reducer Product Overview



SHAFT MOUNT REDUCERS



#### Product Overview

- 15:1 and 25:1 Ratios
- Box Sizes 2 - 9
- Tapered Bushing Type (Bushing Not Included)
- Premium Quality Ball and Tapered Bearings - Double Lip Seals
- Shafts and Gears Manufactured from High Grade Steel, Case Hardened and Precision Ground to AGMA Standards
- Industrial Grade All-Cast Iron Housings Protect Gearing For Life
- Extended Gear Centers and Tooth Contact
- Metal Reinforced Double Lip, Spring Loaded Oil Seals
- Dimensional Drop-In For All Major Makes
- Torque Arm Included
- Made in Taiwan (Highest Level of Manufacturing Expertise)
- 3 Year Warranty

BOX SIZE	RATIO	OUTPUT BORE (MAX)	APPROXIMATE WEIGHT	MODEL NUMBER	LIST PRICE
2	15:1	1-15/16"	68	WSMR2-15:1	\$1,274.42
	25:1			WSMR2-25:1	
3	15:1	2-3/16"	106	WSMR3-15:1	\$1,903.78
	25:1			WSMR3-25:1	
4	15:1	2-7/16"	156	WSMR4-15:1	\$2,574.96
	25:1			WSMR4-25:1	
5	15:1	2-15/16"	204	WSMR5-15:1	\$3,867.12
	25:1			WSMR5-25:1	
6	15:1	3-7/16"	314	WSMR6-15:1	\$5,052.94
	25:1			WSMR6-25:1	
7	15:1	3-15/16"	487	WSMR7-15:1	\$9,384.77
	25:1			WSMR7-25:1	
8	15:1	4-7/16"	655	WSMR8-15:1	\$12,055.49
	25:1			WSMR8-25:1	
9	15:1	4-15/16"	783	WSMR9-15:1	\$17,075.59
	25:1			WSMR9-25:1	

#### Output Shaft Overhung Load Ratings

Box Size	Shaft Size	Overhung Load (lbs.) At Various RPMs										
		10	20	30	50	80	100	120	140	160	180	200
2	1-7/16	2000	1510	1270	1010	840	820	720	720	710	710	700
	1-15/16	1750	1320	1110	890	730	710	630	630	620	620	610
3	1-15/16	5400	4250	3680	3050	2620	2440	2310	2210	2110	2040	1980
	2-3/16	5240	4120	3570	2960	2540	2370	2240	2140	2050	1980	1920
4	2-3/16	6520	5180	4510	3800	3230	3000	2830	2710	2600	2510	2430
	2-7/16	6360	5060	4410	3710	3160	2930	2770	2640	2530	2450	2370
5	2-7/16	7460	5860	5080	4280	3690	3450	3270	3110	2980	2880	2790
	2-15/16	7060	5540	4800	4040	3490	3260	3090	2940	2820	2720	2640
6	2-15/16	9100	7100	6100	5000	4100	4050	3700	3550	3400	3300	3200
	3-7/16	8200	6400	5500	4500	3700	3650	3400	3300	3250	3200	3150
7	3-7/16	11400	9500	7300	5950	4750	5050	4500	4300	4250	4200	4150





# WORLDWIDE GEAR REDUCERS

## Shaft Mount Reducers

*"Ultimate" Shaft Mount Reducer*  
*Mechanical Ratings*



SHAFT MOUNT  
REDUCERS

Reducer Model Number	Service Class I			Service Class II			Service Class III		
	Power (HP)	Output (RPM)	Output * Torque	Power (HP)	Output (RPM)	Output * Torque	Power (HP)	Output (RPM)	Output * Torque
WSMR2-15/1	2	16-24	7065-4710	1.5	18-24	4710-3532	1.5	26-34	3261-2493
	3	26-45	6521-3768	2	24-34	4710-3324	2	38-58	2975-1949
	5	46-74	6143-3819	3	38-70	4462-2422	3	58-100	2923-1695
	7.5	78-105	5434-4037	5	70-105	4037-2691	5	105-140	2691-2018
WSMR2-25/1	10	105-140	5382-4037	7.5	110-140	3853-3028	---	---	---
	0.5	4-6	7065-4710	0.33	4-5	4663-3730	0.25	4-5	3532-2826
	0.75	6-8	7065-5298	0.5	6-8	4710-3532	0.33	6-8	3108-2331
	1	8-10	7065-5652	0.75	8-12	5298-3532	0.5	8-12	3532-2355
	1.5	12-16	7065-5298	1	12-16	4710-3532	0.75	12-16	3532-2649
	2	16-24	7065-4710	1.5	18-24	4710-3532	1	16-24	3532-2355
	3	26-45	6521-3768	2	24-34	4710-3324	1.5	26-34	3261-2493
WSMR3-15/1	5	46-74	6143-3819	3	38-70	4462-2422	2	38-58	2975-1949
	7.5	78-85	5434-4987	5	70-85	4037-3324	3	58-85	2923-1995
	3	28-30	6055-5652	2	16-24	7065-4710	2	24-38	4710-2975
	5	32-50	8831-5652	3	26-46	6521-3686	3	40-70	4239-2422
	7.5	52-74	8151-5728	5	50-74	5652-3819	5	74-105	3819-2691
WSMR3-25/1	10	78-105	7246-5382	7.5	78-105	5434-4037	7.5	110-140	3853-3028
	15	110-140	7707-6055	10	100-140	5652-4037	---	---	---
	0.75	4-5	10597-8477	0.5	4-5	7065-5652	0.5	6-7	4710-4037
	1	6-7	9419-8074	0.75	6-7	7065-6055	0.75	8-10	5298-4239
	1.5	8-10	10597-8477	1	8-10	7065-5652	1	10-16	5652-3532
	2	12-16	9419-7065	1.5	12-16	7065-5298	1.5	18-24	4710-3532
	3	18-30	9419-5652	2	16-24	7065-4710	2	24-38	4710-2975
	5	32-50	8831-5652	3	26-46	6521-3686	3	40-70	4239-2422
WSMR4-15/1	7.5	52-74	8151-5728	5	50-74	5652-3819	5	74-85	3819-3324
	10	78-85	7246-6649	7.5	78-85	5434-4987	---	---	---
	5	18-24	15699-11774	3	14-22	12111-7707	3	20-34	8477-4987
	7.5	26-34	16303-12467	5	24-34	11774-8311	5	38-54	7436-5233
	10	38-54	14873-10466	7.5	38-54	11154-7849	7.5	58-80	7308-5298
	15	58-80	14616-10597	10	54-80	10466-7065	10	80-140	765-4037
WSMR4-25/1	20	80-110	14219-10276	15	85-115	9973-7372	---	---	---
	25	100-140	14129-10092	20	110-140	10276-8074	---	---	---
	1	4-5	14129-11303	0.75	4-5	10597-8477	0.5	4-5	7065-5652
	1.5	5-7	16955-12111	1	5-6	11303-9419	0.75	5-6	8477-7065
	2	6-8	18839-14129	1.5	6-8	14129-10597	1	6-8	9419-7065
	3	10-14	16955-12111	2	10-12	11303-9419	1.5	10-12	8477-7065
	5	16-24	17551-11774	3	14-22	12111-7707	2	14-18	8074-6280
	7.5	26-34	16303-12467	5	24-34	11774-8311	3	20-34	8477-4987
	10	38-54	14873-10466	7.5	38-54	11154-7849	5	38-54	7436-5233
	15	58-80	14616-10597	10	54-85	10466-6649	7.5	58-85	7308-4987
20	80-85	14129-13298	---	---	---	---	---	---	

Continued On Next Page



# WORLDWIDE GEAR REDUCERS

## Shaft Mount Reducers

*"Ultimate" Shaft Mount Reducer*  
*Mechanical Ratings (Continued)*



SHAFT MOUNT REDUCERS

Reducer Model Number	Service Class I			Service Class II			Service Class III		
	Power (HP)	Output (RPM)	Output * Torque	Power (HP)	Output (RPM)	Output * Torque	Power (HP)	Output (RPM)	Output * Torque
WSMR5-15/1	7.5	22-24	19267-17661	7.5	24-34	17661-12467	5	24-34	11774-8311
	10	24-34	23548-16622	10	38-54	14873-10466	7.5	38-52	11154-8151
	15	38-54	22309-15699	15	58-80	14616-10597	10	54-80	10466-7065
	20	54-78	20932-14491	20	78-110	11491-10276	15	85-110	9973-7707
	25	70-95	20184-14873	25	100-125	14129-11303	20	110-125	10276-9043
	30	85-115	19947-14743	---	---	---	---	---	---
	40	110-125	20551-18085	---	---	---	---	---	---
WSMR5-25/1	2	4-5	28258-22606	1.5	4-5	21194-16955	1	4-5	14129-11303
	3	6-8	28258-21194	2	5-6	22606-18839	1.5	6-7	14129-12111
	5	10-14	28258-20184	3	8-14	21194-12111	2	8-12	14129-9419
	7.5	16-24	26492-17661	5	16-24	17661-11774	3	14-22	12111-7707
	10	24-34	23548-16622	7.5	24-34	17661-12467	5	24-34	11774-8311
	15	38-54	22309-15699	10	38-54	14873-10466	7.5	38-52	11154-8151
	20	54-78	20932-14491	15	58-80	14616-10597	10	54-78	10466-7246
	25	70-80	20184-17661	20	78-80	14491-14129	---	---	---
WSMR6-15/1	15	20-26	42387-32605	10	18-26	31398-21737	7.5	20-24	21194-17661
	20	26-38	43474-29745	15	28-40	30276-21194	10	26-40	21737-14129
	25	34-50	41556-28258	20	40-58	28258-19488	15	45-58	18839-14616
	30	45-62	37677-27346	25	52-78	27171-18114	20	62-74	18231-15275
	40	62-85	36462-26596	30	66-90	25689-18839	25	78-95	18114-14873
	50	78-105	36228-26912	40	90-120	25118-18839	30	95-125	17847-13564
	60	95-125	35694-27128	---	---	---	---	---	---
WSMR6-25/1	3	4-5	42387-33910	2	4-5	28258-22606	1.5	4-5	21194-16955
	5	6-8	47097-35323	3	6-8	28258-21194	2	6-7	18839-16147
	7.5	10-12	42387-35323	5	10-12	28258-23548	3	8-12	21194-14129
	10	14-18	40369-31398	7.5	14-18	30276-23548	5	14-18	20184-15699
	15	20-26	42387-32605	10	18-26	31398-21737	7.5	20-24	21194-17661
	20	26-38	43474-29745	15	28-40	30276-21194	10	26-40	21737-14129
	25	34-50	41556-28258	20	40-58	28258-19488	15	45-58	18839-14616
	30	45-62	37677-27346	25	52-78	27171-18114	20	62-70	18231-16147
	40	62-80	36462-28258	30	66-78	25689-21737	---	---	---
WSMR7-15/1	20	18-22	62796-51378	20	26-34	43474-33245	10	16-24	35323-23548
	25	22-30	64223-47097	25	32-46	44153-30715	15	26-34	32605-24934
	30	26-38	65211-44618	30	40-58	42387-29232	20	38-46	29745-24572
	40	38-54	59491-41864	40	58-80	38977-28258	25	50-62	28258-22789
	50	50-74	56516-38187	---	---	---	30	62-80	27346-21194
	---	---	---	---	---	---	40	85-90	26596-25118
WSMR7-25/1	5	4-5	70645-56516	3	4-5	42387-33910	3	5-7	33910-24221
	7.5	6-7	70645-60553	5	6-7	47097-40369	5	8-10	35323-28258
	10	8-10	70645-56516	7.5	8-10	52984-42387	7.5	12-14	35323-30276
	15	12-16	70645-52984	10	12-16	47097-35323	10	16-24	35323-23548
	20	16-22	70645-51378	15	18-26	47097-32605	15	26-34	32605-24934
	25	22-30	64223-47097	20	24-34	47097-33245	20	38-46	29745-24572
	30	26-38	65211-44618	25	32-46	44153-30715	25	50-62	28258-22789
	40	38-54	56491-41864	30	40-58	42387-29232	30	62-70	27346-24221
	50	50-74	56516-38187	40	58-74	38977-30549	---	---	---

Continued On Next Page



# WORLDWIDE GEAR REDUCERS

## Shaft Mount Reducers

### "Ultimate" Shaft Mount Reducer Mechanical Ratings (Continued)



Reducer Model Number	Service Class I			Service Class II			Service Class III		
	Power (HP)	Output (RPM)	Output * Torque	Power (HP)	Output (RPM)	Output * Torque	Power (HP)	Output (RPM)	Output * Torque
WSMR8-15/1	40	20-30	113032-75355	25	20-26	70645-54342	15	18-20	47097-42387
	50	28-40	100922-70645	30	22-32	77067-52984	20	20-26	56516-43474
	60	34-46	99734-73717	40	32-46	70645-49144	25	28-34	50461-41556
	75	45-70	94193-60553	50	40-58	70645-48721	30	34-46	49867-36858
	---	---	---	60	50-74	67819-45824	40	50-58	45213-38977
	---	---	---	75	66-74	64223-57280	50	62-78	45577-36228
WSMR8-25/1	---	---	---	---	---	---	60	78-115	43474-29487
	7.5	4-5	105968-84774	5	4-5	70645-56516	3	4-5	42387-33910
	10	6-7	94193-80737	7.5	6-7	70645-60553	5	5-7	56516-40369
	15	8-9	105968-94193	10	8-9	70645-62796	7.5	7-9	60553-47097
	20	10-12	113032-94193	15	10-14	84774-60553	10	10-14	56516-40369
	25	12-16	117742-99306	20	14-20	80737-56516	15	16-20	52984-42387
	30	16-20	105968-84774	25	18-26	78495-54342	20	20-26	56516-43474
	40	20-30	113032-75355	30	22-32	77067-52984	25	28-34	50461-41556
	50	28-40	100922-70645	40	32-46	70645-49144	30	34-46	49867-36858
	60	34-46	99734-73717	50	40-58	70645-48721	40	50-58	45213-38977
75	45-70	94193-60553	60	50-74	67819-45824	50	62-74	45577-38187	
---	---	---	75	66-74	64223-57280	---	---	---	
WSMR9-15/1	50	18-26	15689-108685	30	20-22	84774-77067	25	18-22	78495-64223
	60	22-32	154135-105968	40	22-30	102757-75355	30	22-30	77067-56516
	75	30-50	141290-84774	50	28-40	100922-70645	40	32-40	70645-56516
	---	---	---	60	34-50	99734-67819	50	45-52	62796-54342
	---	---	---	75	45-74	94193-57280	60	52-80	65211-42387
WSMR9-25/1	15	5-6	169548-141290	7.5	4-5	105968-84774	5	4-5	70645-56516
	20	6-8	188387-141290	10	4-6	141290-94193	7.5	5-6	84774-70645
	25	8-10	176613-141290	15	8-9	105968-94193	10	6-8	94193-70645
	30	10-14	169548-121106	20	10-12	113032-94193	15	10-12	84774-70645
	40	14-20	161475-113032	25	12-16	117742-88306	20	14-16	80737-70645
	50	18-26	156989-108685	30	16-22	105968-77067	25	18-22	78495-64223
	60	22-32	154135-105968	40	22-30	102757-75355	30	22-30	77067-56516
	75	30-50	141290-84774	50	28-40	100922-70645	40	32-40	70645-56516
	---	---	---	60	34-50	99734-67819	50	45-52	62796-54342
	---	---	---	75	45-74	94193-57280	60	52-74	65211-45824

SHAFT MOUNT  
REDUCERS



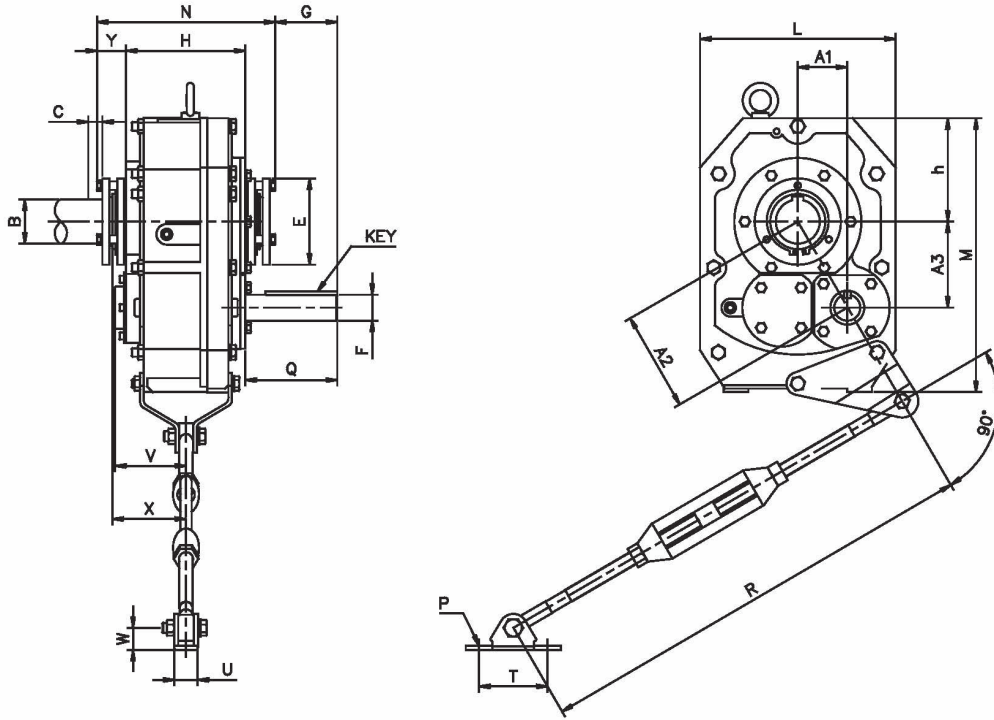
# WORLDWIDE GEAR REDUCERS

## Shaft Mount Reducers

### "Ultimate" Shaft Mount Reducer Dimensions



SHAFT MOUNT REDUCERS



ALL DIMENSIONS IN INCHES

Box Size	L M	N	F Key	B Max.	C	E G	W U	X V	Q Y	H	A1 A2	A3 h	R Min. R Max.	P T
2	8.38	7.32	1.13	1-15/16"	1.25	4.06	1.06	3.68	3.59	4.56	2.14	3.75	26.94	0.44
	11.41		0.25 x 0.13 x 2.50			2.22	1.25	2.89	1.4		4.32	4.09	32.94	3
3	9.25	9.22	1.25	2-3/16"	1.5	4.38	1.06	4.52	4.34	5.63	2.33	4.17	26.94	0.44
	12.88		0.25 x 0.13 x 2.88			2.34	1.25	3.3	1.59		4.78	4.84	32.94	3
4	10.38	9.98	1.44	2-7/16"	1.75	4.81	1.75	4.79	5.57	6.13	2.76	4.79	29.19	0.55
	15.13		0.38 x 0.19 x 4.06			3.44	1.44	3.41	1.72		5.53	5.5	35.19	4
5	13.13	10.52	1.94	2-15/16"	1.81	5.63	1.75	5.05	5.74	6.31	3.04	5.67	29.19	0.5
	18.31		0.50 x 0.25 x 4.50			3.44	1.44	4.45	1.91		6.43	6.56	35.19	4
6	15.13	11.53	2.19	3-7/16"	1.81	6.13	2	5.73	6.08	6.88	4.09	6.71	29.19	0.63
	21.31		0.50 x 0.25 x 4.50			3.73	2.75	4.57	2.3		7.88	7.56	35.19	4.75
7	18.75	12.85	2.44	3-15/16"	2.06	7.25	2	6.38	6.35	7.75	5.11	8.3	29.44	0.63
	25.94		0.63 x 0.31 x 4.75			3.75	2.75	4.69	2.5		9.74	9.38	35.44	4.75
8	20.25	14.03	2.44	4-7/16"	2.06	7.75	3.13	7.04	7.11	8.37	6.03	9.5	30	0.75
	28.25		0.63 x 0.31 x 5.38			4.31	4	5.85	2.86		11.25	10.13	36	7
9	22.63	14.12	2.44	4-15/16"	2.44	8.75	3.13	7.04	9.65	8.12	6.59	10.81	30	0.75
	31.69		0.63 x 0.31 x 7.75			6.63	4	5.66	2.98		12.66	11.31	36	7

Dimensions shown in this catalog are for general use only.  
For an exact drawing on a specific rating, please contact our sales office.



# WORLDWIDE GEAR REDUCERS

## Shaft Mount Reducers

Competitive Interchange

Ratios 15:1 and 25:1



### 15:1 Ratio

WorldWide Electric	Dodge	Hub City	Browning
WSMR2-15:1	TXT2-15:1	PT2 115 S 15	115SMT15
SMR2-15:1			
WSMR3-15:1	TXT3-15:1	PT3 203 S 15	203SMT15
SMR3-15:1			
WSMR4-15:1	TXT4-15:1	PT4 207 S 15	207SMT15
SMR4-15:1			
WSMR5-15:1	TXT5-15:1	PT4 215 S 15	215SMT15
SMR5-15:1			
WSMR6-15:1	TXT6-15:1	PT6 307 S 15	307SMT15
SMR6-15:1			
WSMR7-15:1	TXT7-15:1	PT7 315 S 15	315SMT15
SMR7-15:1			
WSMR8-15:1	TXT8-15:1	PT8 407 S 15	407SMT15
SMR8-15:1			
WSMR9-15:1	TXT9-15:1	---	415SMT15
SMR9-15:1			

### 25:1 Ratio

WorldWide Electric	Dodge	Hub City	Browning
WSMR2-25:1	TXT2-25:1	PT2 115 S 25	115SMT25
SMR2-25:1			
WSMR3-25:1	TXT3-25:1	PT3 203 S 25	203SMT25
SMR3-25:1			
WSMR4-25:1	TXT4-25:1	PT4 207 S 25	207SMT25
SMR4-25:1			
WSMR5-25:1	TXT5-25:1	PT4 215 S 25	215SMT25
SMR5-25:1			
WSMR6-25:1	TXT6-25:1	PT6 307 S 25	307SMT25
SMR6-25:1			
WSMR7-25:1	TXT7-25:1	PT7 315 S 25	315SMT25
SMR7-25:1			
WSMR8-25:1	TXT8-25:1	PT8 407 S 25	407SMT25
SMR8-25:1			
WSMR9-25:1	TXT9-25:1	---	415SMT25
SMR9-25:1			



# WORLDWIDE GEAR REDUCERS

## Shaft Mount Reducers

### Accessories

### Tapered Bushing Kits

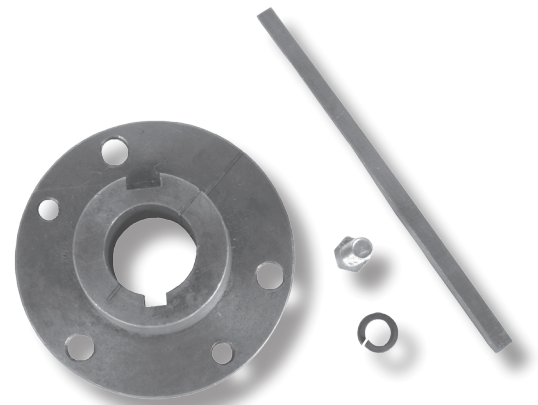


SHAFT MOUNT REDUCERS

Box Size	Bushing Size	Model Number	Alternate Model Number	List Price
2	1-1/4"	2TBK-1.14	2WTBK-1.14	\$134.03
	1-5/16"	2TBK-1.516	2WTBK-1.516	
	1-3/8"	2TBK-1.38	2WTBK-1.38	
	1-7/16"	2TBK-1.716	2WTBK-1.716	
	1-1/2"	2TBK-1.12	2WTBK-1.12	
	1-5/8"	2TBK-1.58	2WTBK-1.58	
	1-11/16"	2TBK-1.1116	2WTBK-1.1116	
	1-3/4"	2TBK-1.34	2WTBK-1.34	
	1-15/16"	2TBK-1.1516	2WTBK-1.1516	
3	1-11/16"	3TBK-1.1116	3WTBK-1.1116	\$164.93
	1-3/4"	3TBK-1.34	3WTBK-1.34	
	1-7/8"	3TBK-1.78	3WTBK-1.78	
	1-15/16"	3TBK-1.1516	3WTBK-1.1516	
	2"	3TBK-2	3WTBK-2	
4	2-3/16"	3TBK-2.316	3WTBK-2.316	\$227.36
	1-15/16"	4TBK-1.1516	4WTBK-1.1516	
	2"	4TBK-2	4WTBK-2	
	2-1/8"	4TBK-2.18	4WTBK-2.18	
	2-3/16"	4TBK-2.316	4WTBK-2.316	
5	2-1/4"	4TBK-2.14	4WTBK-2.14	\$313.19
	2-7/16"	4TBK-2.716	4WTBK-2.716	
	2-1/2"	5TBK-2.12	5WTBK-2.12	
	2-11/16"	5TBK-2.1116	5WTBK-2.1116	
	2-15/16"	5TBK-2.1516	5WTBK-2.1516	
6	2-1/2"	6TBK-2.12	6WTBK-2.12	\$407.43
	2-11/16"	6TBK-2.1116	6WTBK-2.1116	
	2-7/8"	6TBK-2.78	6WTBK-2.78	
	2-15/16"	6TBK-2.1516	6WTBK-2.1516	
	3"	6TBK-3	6WTBK-3	
7	3-7/16"	6TBK-3.716	6WTBK-3.716	\$547.83
	2-7/16"	7TBK-2.716	7WTBK-2.716	
	2-11/16"	7TBK-2.1116	7WTBK-2.1116	
	2-15/16"	7TBK-2.1516	7WTBK-2.1516	
	3"	7TBK-3	7WTBK-3	
	3-3/16"	7TBK-3.316	7WTBK-3.316	
8	3-7/16"	7TBK-3.716	7WTBK-3.716	\$664.25
	3-15/16"	7TBK-3.1516	7WTBK-3.1516	
	2-15/16"	8TBK-2.1516	8WTBK-2.1516	
	3-7/16"	8TBK-3.716	8WTBK-3.716	
9	3-15/16"	8TBK-3.1516	8WTBK-3.1516	\$780.66
	4-3/16"	8TBK-4.316	8WTBK-4.316	
	4-7/16"	8TBK-4.716	8WTBK-4.716	
	3-7/16"	9TBK-3.716	9WTBK-3.716	
	3-15/16"	9TBK-3.1516	9WTBK-3.1516	
	4-7/16"	9TBK-4.716	9WTBK-4.716	
	4-15/16"	9TBK-4.1516	9WTBK-4.1516	

### Product Overview

- Sized for WorldWide Shaft Mount Reducers
- Interchangeable with Other Manufacturers
- Fast and Simple Installation
- Tapered Support on Both Sides of the Reducer
- Come with Fastening Bolts and a Full Length Shaft Key



# WORLDWIDE GEAR REDUCERS

## Shaft Mount Reducers

### Accessories

### Backstop Assemblies, Motor Mounts, Torque Arms



#### Backstop Assemblies

- Easy Mount for WWE Shaft Mount Reducers
- Smooth Forward Operation of Conveyor with No Backslip

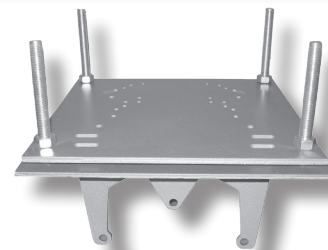
Box Size	Model Number	List Price
2	SMR2BSK	\$214.03
3	SMR3BSK	\$273.89
4	SMR4BSK	\$273.89
5	SMR5BSK	\$325.28
6	SMR6BSK	\$616.32
7	SMR7BSK	\$616.32
8	SMR8BSK	\$1,350.00
9	SMR9BSK	\$1,350.00



#### Motor Mounts

- Heavy Gauge Steel Construction for NEMA Frame Motors
- Adjustable Top Plate for Belt Tensioning

Box Size	NEMA Frame	Model Number	List Price
2	56-215T	MM2	\$387.78
3	56-215T	MM3A	\$398.89
4	143T-286T	MM4	\$621.46
5	143T-286T	MM5A	\$621.46
6	143T-326T	MM6	\$864.58
7	143T-365T	MM7	\$927.34
8	213T-365T	MM8	\$1,112.81



#### Torque Arms

- Included with EVERY Shaft Mount Reducer
- Heavy Gauge Steel Construction
- Machine Precision Ground Interlocking Parts for Easy and Accurate Tensioning and Tightening

Box Size	Model Number	List Price
2	SMR2-TA	\$62.67
3	SMR3-TA	\$62.67
4	SMR4-TA	\$112.00
5	SMR5-TA	\$112.00
6	SMR6-TA	\$167.42
7	SMR7-TA	\$327.83
8	SMR8-TA	\$414.50
9	SMR9-TA	\$414.50



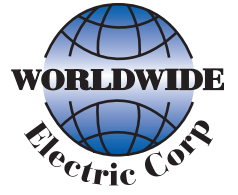
SHAFT MOUNT  
REDUCERS

# WORLDWIDE GEAR REDUCERS

## Shaft Mount Reducers

### Accessories

### Rebuild Kit, Belt Guards



#### Rebuild Kit\* for "Original" SMR

- **Kit Includes:**
  - High Speed Input Shaft
  - First Gear Reduction
  - Input Bearings
  - Input Seal
  - Output Seals

\*SOLD AS KIT ONLY

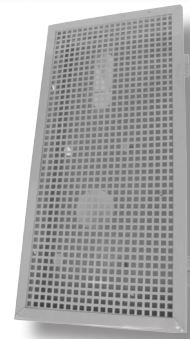
Box Size	Model Number	List Price
3	SMR315RBKIT	\$425.55
3	SMR325RBKIT	\$425.55
4	SMR415RBKIT	\$524.17
4	SMR425RBKIT	\$524.17
5	SMR515RBKIT	\$698.33
5	SMR525RBKIT	\$698.33
6	SMR615RBKIT	\$940.83
6	SMR625RBKIT	\$940.83
7	SMR715RBKIT	\$1374.17
7	SMR725RBKIT	\$1374.17
8	SMR815RBKIT	\$1710.00
8	SMR825RBKIT	\$1710.00
9	SMR915RBKIT	\$2177.50
9	SMR925RBKIT	\$2177.50



#### Belt Guards

- Hinge Design for Easy Access to Belts and Sheaves
- Slotted Metal Panel Construction
- Assembles to Reducer and Motor Mount Holes
- Easy Mount for WWE Shaft Mount Reducers
- Smooth Forward Operation of Conveyor with No Backslip

Box Size	Model Number	List Price
2	WWEBG2	\$387.50
3	WWEBG3	\$440.42
4	WWEBG4	\$505.17
5	WWEBG5	\$557.08
6	WWEBG6	\$634.71
7	WWEBG7	\$746.72
8	WWEBG8	\$878.49

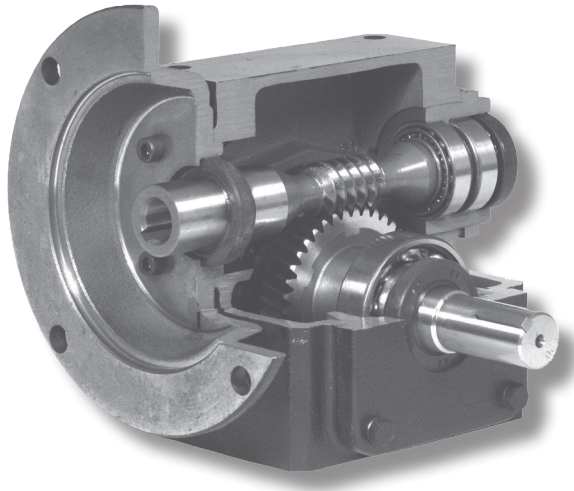




# WORLDWIDE GEAR REDUCERS

## Worm Gear Reducers

### Heavy Duty Cast Iron Worm Gear Reducers Product Overview



#### Product Overview

- 5:1 - 60:1 Ratios
- Box Sizes 1.33 - 3.25
- One Piece # Fc20 All Cast Iron Housing
- Embedded Double-Lip Oil Seals
- Double Bearings Used on Both Shaft Ends
- Anti-Rust Primer Applied Inside/Outside Gearbox
- S45C Carbon Steel Shafts
- Albc3 Aluminum - Bronze Gear
- Interior Oil Channel Guide Directly and Constantly Lube Bearings
- Tapered Roller Bearing on Output and Input Shafts
- All Angle - Radiused Mounting Holes
- Air Dry Special Black Paint
- Shaft Sleeve Protects All Shafts
- Compact Design - Compact Space Capability
- Units Filled with Mobil #5HC634 Synthetic Oil
- Universally Interchangeable
- 1 Year Warranty

WORM GEAR REDUCERS

#### How to Order

WHEN ORDERING A WORM GEAR REDUCER PLEASE USE THE FOLLOWING NOMENCLATURE

Style	Box Size	Ratio	Output	Motor Frame *
S - Shaft Input	133	5/1	L - Left Hand	56C
F - Flange Input	154	10/1	R - Right Hand	145TC
	175	15/1	DE- Double End	182/4TC
	206	20/1	H- Hollow Bore	
	237	30/1		
	262	40/1		
	325	50/1		
		60/1		*Leave Blank for Shaft Input
HdR_____	_____	____/____	_____	_____

Continued On Next Page



# WORLDWIDE GEAR REDUCERS

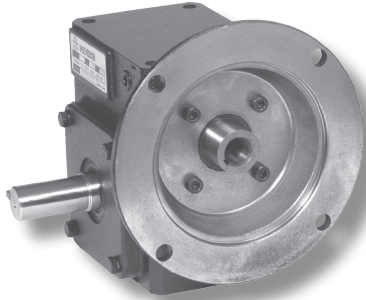
## Worm Gear Reducers

### Heavy Duty Cast Iron Worm Gear Reducers Product Overview (Continued)

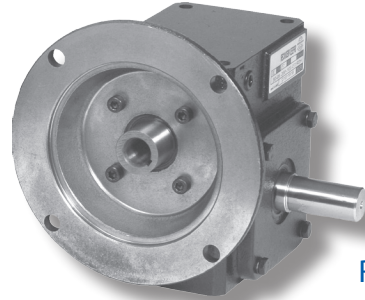


WORM GEAR  
REDUCERS

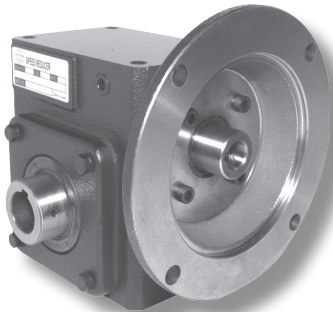
Flange Input  
Shaft Output  
Left Hand Output



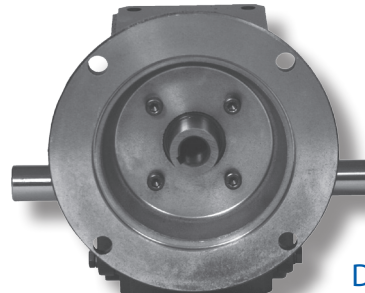
Flange Input  
Shaft Output  
Right Hand Output



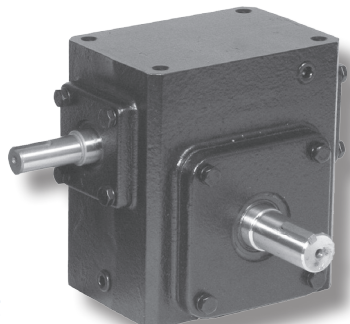
Flange Input  
Hollow Bore Output



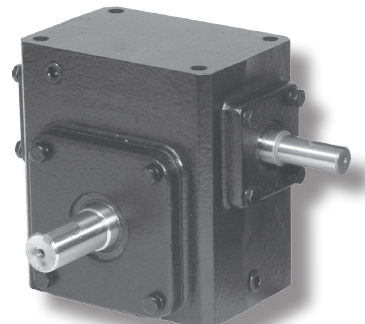
Flange Input  
Shaft Output  
Double End Output



Shaft Input  
Shaft Output  
Right Hand Output



Shaft Input  
Shaft Output  
Left Hand Output



# WORLDWIDE GEAR REDUCERS

## Worm Gear Reducers

### Heavy Duty Cast Iron Worm Gear Reducers Mechanical Ratings



Input Speed		1750 RPM									
Box Size	Ratio	Mechanical (1.0 SF)			Thermal (1.25 SF)			Efficiency (%)	O.H.L. (lbs.)	Output Shaft Thrust Load (lbs.)	Backlash (ft.) (Angular Minutes)
		Input HP	Output Torque (lbs. in.)	Output HP	Input HP	Output Torque (lbs. in.)	Output HP				
133	5:1	1.21	209	1.05	1.15	221	1.11	91	300	300	27
	10:1	0.77	247	0.66	0.75	240	0.64	86			
	15:1	0.63	283	0.5	0.53	238	0.42	80			
	20:1	0.5	276	0.39	0.48	266	0.38	78			
	30:1	0.47	336	0.31	0.31	221	0.20	66			
	40:1	0.38	356	0.25	0.30	282	0.19	65			
	50:1	0.29	312	0.17	0.26	282	0.16	59			
60:1	0.23	219	0.12	0.22	213	0.12	53				
154	5:1	2.06	341	1.88	2.04	345	1.90	92	450	400	23
	10:1	1.29	327	0.9	1.03	411	1.13	88			
	15:1	1.11	363	0.67	0.78	518	0.95	86			
	20:1	0.86	384	0.53	0.65	509	0.70	81			
	30:1	0.62	388	0.36	0.48	504	0.46	74			
	40:1	0.51	397	0.27	0.4	503	0.35	68			
	50:1	0.47	407	0.22	0.34	565	0.31	66			
60:1	0.39	373	0.17	0.29	502	0.23	59				
175	5:1	2.83	499	2.62	2.28	402	2.11	93	650	550	20
	10:1	1.57	515	1.38	1.36	445	1.19	88			
	15:1	1.24	554	1.06	1.13	506	0.96	85			
	20:1	1.26	737	1.04	0.98	572	0.81	83			
	30:1	0.89	666	0.61	0.54	405	0.37	69			
	40:1	0.79	714	0.49	0.45	404	0.28	62			
	50:1	0.5	538	0.3	0.41	446	0.25	59			
60:1	0.38	433	0.2	0.35	404	0.19	52				
206	5:1	3.62	925	3.33	2.57	657	2.36	92	700	750	17
	10:1	2.77	935	2.5	2.10	708	1.89	90			
	15:1	2.09	1002	1.78	1.40	673	1.20	85			
	20:1	1.57	914	1.29	1.17	681	0.96	82			
	30:1	1.65	1310	1.21	0.76	606	0.56	73			
	40:1	1.09	1120	0.77	0.71	726	0.50	71			
	50:1	0.74	830	0.46	0.54	606	0.33	62			
60:1	0.6	750	0.35	0.48	606	0.28	58				
237	5:1	4.32	766	4.02	3.56	630	3.31	93	900	900	17
	10:1	3.47	1158	3.09	2.24	746	1.99	89			
	15:1	2.64	1249	2.22	1.55	732	1.30	84			
	20:1	2.06	1195	1.69	1.36	791	1.12	82			
	30:1	1.82	1507	1.39	1.02	847	0.78	76			
	40:1	1.45	1483	1.02	0.83	845	0.58	71			
	50:1	1.32	1527	0.84	0.67	779	0.43	64			
60:1	0.86	1149	0.53	0.63	844	0.39	61				

WORM GEAR REDUCERS

Continued On Next Page



# WORLDWIDE GEAR REDUCERS

## Worm Gear Reducers

### Heavy Duty Cast Iron Worm Gear Reducers Mechanical Ratings (Continued)



Input Speed		1750 RPM									
Box Size	Ratio	Mechanical (1.0 SF)			Thermal (1.25 SF)			Efficiency (%)	O.H.L. (lbs.)	Output Shaft Thrust Load (lbs.)	Backlash (ft.) (Angular Minutes)
		Input HP	Output Torque (lbs. in.)	Output HP	Input HP	Output Torque (lbs. in.)	Output HP				
262	5:1	5.24	924	4.86	4.32	761	4.00	93	1000	1000	17
	10:1	4.17	1445	3.74	3.06	1061	2.75	90			
	15:1	3.22	1577	2.81	2.47	1212	2.16	87			
	20:1	2.67	1563	2.21	1.84	1078	1.53	83			
	30:1	2.22	1827	1.68	1.30	1072	0.99	76			
	40:1	1.85	1919	1.32	1.11	1153	0.80	72			
	50:1	1.37	1658	0.92	0.95	1152	0.64	67			
60:1	1.16	1670	0.77	0.94	1346	0.62	66				
325	5:1	9.72	1724	9.06	6.93	1228	6.46	93	1200	1200	15
	10:1	7.19	2419	6.46	4.63	1558	4.16	90			
	15:1	5.45	2611	4.65	3.19	1527	2.72	85			
	20:1	4.74	2875	4.07	3.31	2011	2.85	86			
	30:1	3.66	3045	2.8	2.00	1661	1.53	77			
	40:1	3.35	3692	2.55	1.96	2156	1.49	76			
	50:1	2.49	3413	1.88	1.92	2637	1.46	76			
60:1	2.03	3127	1.44	1.61	2476	1.14	71				

WORM GEAR REDUCERS



# WORLDWIDE GEAR REDUCERS

## Worm Gear Reducers

### Heavy Duty Cast Iron Worm Gear Reducers Flange Input - Shaft Output



Ratio C	Output RPM @ 1800 RPM Input	WCD Center (in.)	NEMA Motor Frame	Approx. Weight (lbs.)	Model Number	List Price
5:1	350	1.33	56C	17	HdRF133-5/1-*-56C	\$224.00
		1.54	56C	22	HdRF154-5/1-*-56C	\$246.00
		1.75	56C	27	HdRF175-5/1-*-56C	\$271.00
		2.06	56C	32	HdRF206-5/1-*-56C	\$344.00
		2.37	56C	38	HdRF237-5/1-*-56C	\$414.00
		2.62	182/4TC	53	HdRF262-5/1-*-182/4TC	\$446.00
		3.25	182/4TC	90	HdRF325-5/1-*-182/4TC	\$630.00
10:1	175	1.33	56C	17	HdRF133-10/1-*-56C	\$224.00
		1.54	56C	22	HdRF154-10/1-*-56C	\$246.00
		1.75	56C	27	HdRF175-10/1-*-56C	\$271.00
		2.06	56C	32	HdRF206-10/1-*-56C	\$344.00
		2.37	56C	38	HdRF237-10/1-*-56C	\$414.00
		2.62	182/4TC	53	HdRF262-10/1-*-182/4TC	\$446.00
		3.25	182/4TC	90	HdRF325-10/1-*-182/4TC	\$630.00
15:1	120	1.33	56C	17	HdRF133-15/1-*-56C	\$224.00
		1.54	56C	22	HdRF154-15/1-*-56C	\$246.00
		1.75	56C	27	HdRF175-15/1-*-56C	\$271.00
		2.06	56C	32	HdRF206-15/1-*-56C	\$344.00
		2.37	56C	38	HdRF237-15/1-*-56C	\$414.00
		2.62	56C	53	HdRF262-15/1-*-56C	\$446.00
		2.62	145TC	53	HdRF262-15/1-*-145TC	\$446.00
		3.25	182/4TC	90	HdRF325-15/1-*-182/4TC	\$630.00
20:1	88	1.33	56C	17	HdRF133-20/1-*-56C	\$224.00
		1.54	56C	22	HdRF154-20/1-*-56C	\$246.00
		1.75	56C	27	HdRF175-20/1-*-56C	\$271.00
		2.06	56C	32	HdRF206-20/1-*-56C	\$344.00
		2.37	56C	38	HdRF237-20/1-*-56C	\$414.00
		2.62	56C	53	HdRF262-20/1-*-56C	\$446.00
		2.62	145TC	53	HdRF262-20/1-*-145TC	\$446.00
		3.25	182/4TC	90	HdRF325-20/1-*-182/4TC	\$630.00
30:1	58	1.33	56C	17	HdRF133-30/1-*-56C	\$224.00
		1.54	56C	22	HdRF154-30/1-*-56C	\$246.00
		1.75	56C	27	HdRF175-30/1-*-56C	\$271.00
		2.06	56C	32	HdRF206-30/1-*-56C	\$344.00
		2.37	56C	38	HdRF237-30/1-*-56C	\$414.00
		2.62	56C	50	HdRF262-30/1-*-56C	\$446.00
		2.62	145TC	50	HdRF262-30/1-*-145TC	\$446.00
		3.25	56C	87	HdRF325-30/1-*-56C	\$630.00
		3.25	145TC	87	HdRF325-30/1-*-145TC	\$630.00

WORM GEAR REDUCERS

Continued On Next Page



# WORLDWIDE GEAR REDUCERS

## Worm Gear Reducers

### Heavy Duty Cast Iron Worm Gear Reducers Flange Input - Shaft Output (Continued)



Ratio C	Output RPM @ 1800 RPM Input	WCD Center (in.)	NEMA Motor Frame	Approx. Weight (lbs.)	Model Number	List Price
40:1	44	1.33	56C	17	HdRF133-40/1-*-56C	\$224.00
		1.54	56C	22	HdRF154-40/1-*-56C	\$246.00
		1.75	56C	27	HdRF175-40/1-*-56C	\$271.00
		2.06	56C	32	HdRF206-40/1-*-56C	\$344.00
		2.37	56C	38	HdRF237-40/1-*-56C	\$414.00
		2.62	56C	50	HdRF262-40/1-*-56C	\$446.00
		3.25	56C	87	HdRF325-40/1-*-56C	\$630.00
		3.25	145TC	87	HdRF325-40/1-*-145TC	\$630.00
50:1	35	1.33	56C	17	HdRF133-50/1-*-56C	\$224.00
		1.54	56C	22	HdRF154-50/1-*-56C	\$246.00
		1.76	56C	27	HdRF175-50/1-*-56C	\$271.00
		2.06	56C	32	HdRF206-50/1-*-56C	\$344.00
		2.37	56C	38	HdRF237-50/1-*-56C	\$414.00
		2.62	56C	50	HdRF262-50/1-*-56C	\$446.00
		3.25	56C	87	HdRF325-50/1-*-56C	\$630.00
		3.25	145TC	87	HdRF325-50/1-*-145TC	\$630.00
60:1	29	1.33	56C	17	HdRF133-60/1-*-56C	\$224.00
		1.54	56C	22	HdRF154-60/1-*-56C	\$246.00
		1.75	56C	27	HdRF175-60/1-*-56C	\$271.00
		2.06	56C	32	HdRF206-60/1-*-56C	\$344.00
		2.37	56C	38	HdRF237-60/1-*-56C	\$414.00
		2.62	56C	50	HdRF262-60/1-*-56C	\$446.00
		3.25	56C	87	HdRF325-60/1-*-56C	\$630.00
		3.25	145TC	87	HdRF325-60/1-*-145TC	\$630.00

WORM GEAR REDUCERS



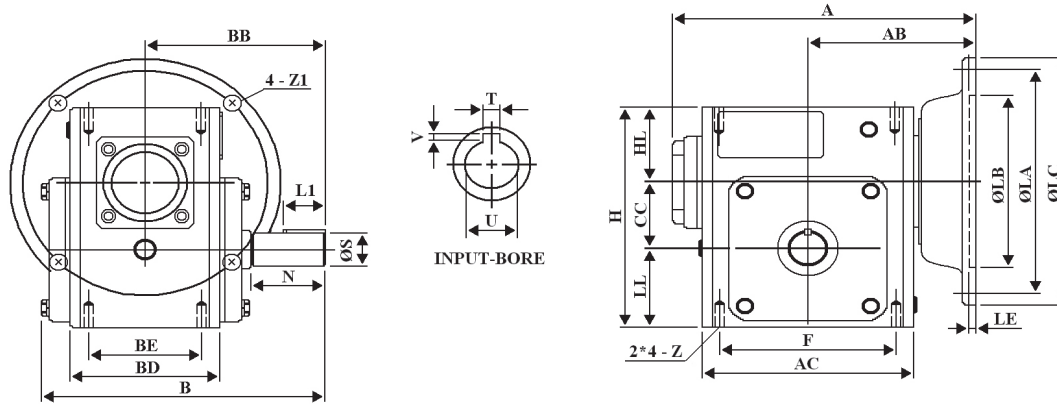
# WORLDWIDE GEAR REDUCERS

## Worm Gear Reducers

### Heavy Duty Cast Iron Worm Gear Reducers Dimensions



Flange Input - Shaft Output  
Left / Right Hand Output



ALL DIMENSIONS IN INCHES

Box Size	NEMA Frame	A	AB	AC	B	BB	BD	BE	CC	F	H	HL	LL	N
133	56C	5.99	3.386	3.78	6.067	4	2.835	2	1.333	3.25	4.656	1.605	1.718	2
154	56C	7.15	3.976	4.961	6.122	4.311	3.622	2.75	1.54	4.188	5.378	1.929	1.909	1.772
175	56C	7.29	4.035	5.059	6.831	4.311	3.563	2.75	1.75	4.188	5.75	1.938	2.062	1.781
206	56C	7.95	4.37	5.748	7.249	4.69	3.819	2.88	2.062	5	6.375	2.032	2.281	2.09
237	56C	8.71	4.705	6.378	7.948	5.087	4.055	2.88	2.375	5	6.937	2.062	2.5	2.37
262	56C	9.41	5.059	7.165	8.872	5.63	4.685	3.375	2.625	6.375	8	2.437	2.938	2.626
	145TC													
	182/4TC	10.57	6.24											
325	56C	11.42	6.063	9.016	11.014	7.059	5.748	4	3.25	7.5	9.375	2.625	3.5	3.25
	145TC													
	182/4TC	12.59	7.244											

ALL DIMENSIONS IN INCHES

Box Size	NEMA Frame	Z (UNC)	INPUT BORE		OUTPUT SHAFT			FLANGE					Oil (oz.)
			U	T x V	L1	S	W x Y	LA	LB	LC	LE	Z1	
133	56C	5/16-18	0.625	3/16 x 3/32	1	0.625	3/16 x 3/32	5.875	4.5	6.496	0.157	0.433	5.82
154	56C	5/16-18	0.625	3/16 x 3/32	1	0.75	3/16 x 3/32	5.875	4.5	6.496	0.157	0.433	11.64
175	56C	5/16-18	0.625	3/16 x 3/32	1	0.875	3/16 x 3/32	5.875	4.5	6.496	0.157	0.433	11.64
206	56C	3/8-16	0.625	3/16 x 3/32	1.25	1	1/4 x 1/8	5.875	4.5	6.496	0.157	0.433	19.41
237	56C	3/8-16	0.625	3/16 x 3/32	1.25	1.125	1/4 x 1/8	5.875	4.5	6.496	0.157	0.433	24.07
262	56C	3/8-16	0.625	3/16 X 3/32	2	1.125	1/4 x 1/8	5.875	4.5	6.496	0.157	0.433	34.55
	0.875												
	1.125		1/4 X 1/8	7.25				8.5	9	0.197	0.551		
325	56C	7/16-14	0.625	3/16 X 3/32	2.438	1.375	5/16 x 5/32	5.875	4.5	6.496	0.157	0.433	73.75
	0.875												
	1.125		1/4 X 1/8	7.25				8.5	9	0.197	0.551		

Dimensions shown in this catalog are for general use only.  
For an exact drawing on a specific rating, please contact our sales office.



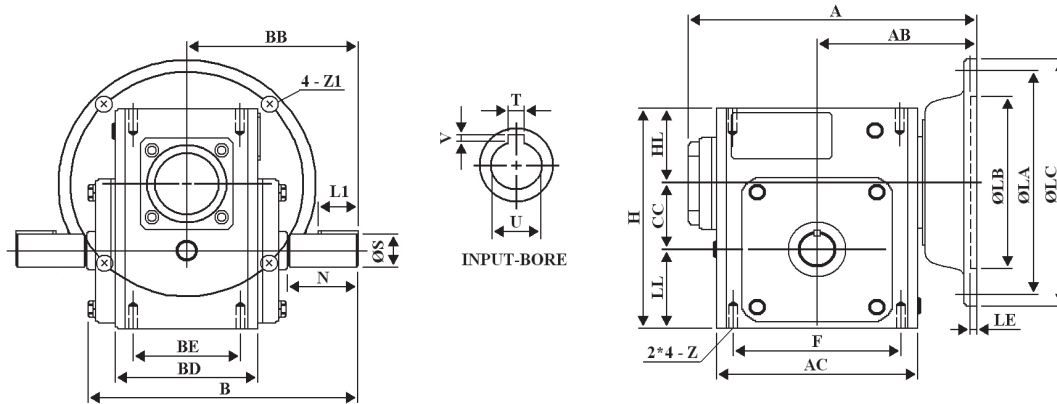
# WORLDWIDE GEAR REDUCERS

## Worm Gear Reducers

### Heavy Duty Cast Iron Worm Gear Reducers Dimensions



Flange Input - Shaft Output  
Double End Output



ALL DIMENSIONS IN INCHES

Box Size	NEMA Frame	A	AB	AC	B	BB	BD	BE	CC	F	H	HL	LL	N
133	56C	5.99	3.386	3.78	6.067	4	2.835	2	1.333	3.25	4.656	1.605	1.718	2
175	56C	7.29	4.035	5.059	6.831	4.311	3.563	2.75	1.75	4.188	5.75	1.938	2.062	1.781
206	56C	7.95	4.37	5.748	7.249	4.69	3.819	2.88	2.062	5	6.375	2.032	2.281	2.09
237	56C	8.71	4.705	6.378	7.948	5.087	4.055	2.88	2.375	5	6.937	2.062	2.5	2.37
262	56C	9.41	5.059	7.165	8.872	5.63	4.685	3.375	2.625	6.375	8	2.437	2.938	2.626
	145TC													
	182/4TC	10.57	6.24											
325	56C	11.42	6.063	9.016	11.014	7.059	5.748	4	3.25	7.5	9.375	2.625	3.5	3.25
	145TC													
	182/4TC	12.59	7.244											

ALL DIMENSIONS IN INCHES

Box Size	NEMA Frame	Z (UNC)	INPUT BORE		OUTPUT SHAFT			FLANGE					Oil (oz.)
			U	T x V	L1	S	W x Y	LA	LB	LC	LE	Z1	
133	56C	5/16-18	0.625	3/16 x 3/32	1	0.625	3/16 x 3/32	5.875	4.5	6.496	0.157	0.433	5.82
175	56C	5/16-18	0.625	3/16 x 3/32	1	0.875	3/16 x 3/32	5.875	4.5	6.496	0.157	0.433	11.64
206	56C	3/8-16	0.625	3/16 x 3/32	1.25	1	1/4 x 1/8	5.875	4.5	6.496	0.157	0.433	19.41
237	56C	3/8-16	0.625	3/16 x 3/32	1.25	1.125	1/4 x 1/8	5.875	4.5	6.496	0.157	0.433	24.07
262	56C	3/8-16	0.625	3/16 X 3/32	2	1.125	1/4 x 1/8	5.875	4.5	6.496	0.157	0.433	34.55
	0.875												
	182/4TC		1.125	1/4 X 1/8				7.25	8.5	9	0.197	0.551	
325	56C	7/16-14	0.625	3/16 X 3/32	2.438	1.375	5/16 x 5/32	5.875	4.5	6.496	0.157	0.433	73.75
	0.875												
	182/4TC		1.125	1/4 X 1/8				7.25	8.5	9	0.197	0.551	

Dimensions shown in this catalog are for general use only.  
For an exact drawing on a specific rating, please contact our sales office.





# WORLDWIDE GEAR REDUCERS

## Worm Gear Reducers

Heavy Duty Cast Iron Worm Gear Reducers  
Flange Input - Hollow Bore Output



Ratio C	Output RPM @ 1800 RPM Input	WCD Center (in.)	NEMA Motor Frame	Approx. Weight (lbs.)	Model Number	List Price
5:1	350	1.33	56C	17	HdRF133-5/1-H-56C	\$302.00
		1.75	56C	27	HdRF175-5/1-H-56C	\$358.00
		2.06	56C	32	HdRF206-5/1-H-56C	\$429.00
		2.37	56C	38	HdRF237-5/1-H-56C	\$490.00
		2.62	182/4TC	53	HdRF262-5/1-H-182/4TC	\$603.00
		3.25	182/4TC	90	HdRF325-5/1-H-182/4TC	\$838.00
10:1	175	1.33	56C	17	HdRF133-10/1-H-56C	\$302.00
		1.75	56C	27	HdRF175-10/1-H-56C	\$358.00
		2.06	56C	32	HdRF206-10/1-H-56C	\$429.00
		2.37	56C	38	HdRF237-10/1-H-56C	\$490.00
		2.62	182/4TC	53	HdRF262-10/1-H-182/4TC	\$603.00
		3.25	182/4TC	90	HdRF325-10/1-H-182/4TC	\$838.00
15:1	120	1.33	56C	17	HdRF133-15/1-H-56C	\$302.00
		1.75	56C	27	HdRF175-15/1-H-56C	\$358.00
		2.06	56C	32	HdRF206-15/1-H-56C	\$429.00
		2.37	56C	38	HdRF237-15/1-H-56C	\$490.00
		2.62	56C	53	HdRF262-15/1-H-56C	\$603.00
		2.62	145TC	53	HdRF262-15/1-H-145TC	\$603.00
		3.25	182/4TC	90	HdRF325-15/1-H-182/4TC	\$838.00
20:1	88	1.33	56C	17	HdRF133-20/1-H-56C	\$302.00
		1.75	56C	27	HdRF175-20/1-H-56C	\$358.00
		2.06	56C	32	HdRF206-20/1-H-56C	\$429.00
		2.37	56C	38	HdRF237-20/1-H-56C	\$490.00
		2.62	56C	53	HdRF262-20/1-H-56C	\$603.00
		2.62	145TC	53	HdRF262-20/1-H-145TC	\$603.00
		3.25	182/4TC	90	HdRF325-20/1-H-182/4TC	\$838.00
30:1	58	1.33	56C	17	HdRF133-30/1-H-56C	\$302.00
		1.75	56C	27	HdRF175-30/1-H-56C	\$358.00
		2.06	56C	32	HdRF206-30/1-H-56C	\$429.00
		2.37	56C	38	HdRF237-30/1-H-56C	\$490.00
		2.62	56C	50	HdRF262-30/1-H-56C	\$603.00
		2.62	145TC	50	HdRF262-30/1-H-145TC	\$603.00
		3.25	56C	87	HdRF325-30/1-H-56C	\$838.00
		3.25	145TC	87	HdRF325-30/1-H-145TC	\$838.00
40:1	40:1	1.33	56C	17	HdRF133-40/1-H-56C	\$302.00
		1.75	56C	27	HdRF175-40/1-H-56C	\$358.00
		2.06	56C	32	HdRF206-40/1-H-56C	\$429.00
		2.37	56C	38	HdRF237-40/1-H-56C	\$490.00
		2.62	56C	50	HdRF262-40/1-H-56C	\$603.00
		3.25	56C	87	HdRF325-40/1-H-56C	\$838.00
		3.25	145TC	87	HdRF325-40/1-H-145TC	\$838.00

WORM GEAR REDUCERS

Continued On Next Page



# WORLDWIDE GEAR REDUCERS

## Worm Gear Reducers

### Heavy Duty Cast Iron Worm Gear Reducers

#### Flange Input - Hollow Bore Output (Continued)



Ratio C	Output RPM @ 1800 RPM Input	WCD Center (in.)	NEMA Motor Frame	Approx. Weight (lbs.)	Model Number	List Price
50:1	35	1.33	56C	17	HdRF133-50/1-H-56C	\$302.00
		1.76	56C	27	HdRF175-50/1-H-56C	\$358.00
		2.06	56C	32	HdRF206-50/1-H-56C	\$429.00
		2.37	56C	38	HdRF237-50/1-H-56C	\$490.00
		2.62	56C	50	HdRF262-50/1-H-56C	\$603.00
		3.25	56C	87	HdRF325-50/1-H-56C	\$838.00
		3.25	145TC	87	HdRF325-50/1-H-145TC	\$838.00
60:1	29	1.33	56C	17	HdRF133-60/1-H-56C	\$302.00
		1.75	56C	27	HdRF175-60/1-H-56C	\$358.00
		2.06	56C	32	HdRF206-60/1-H-56C	\$429.00
		2.37	56C	38	HdRF237-60/1-H-56C	\$490.00
		2.62	56C	50	HdRF262-60/1-H-56C	\$603.00
		3.25	56C	87	HdRF325-60/1-H-56C	\$838.00
		3.25	145TC	87	HdRF325-60/1-H-145TC	\$838.00

WORM GEAR REDUCERS



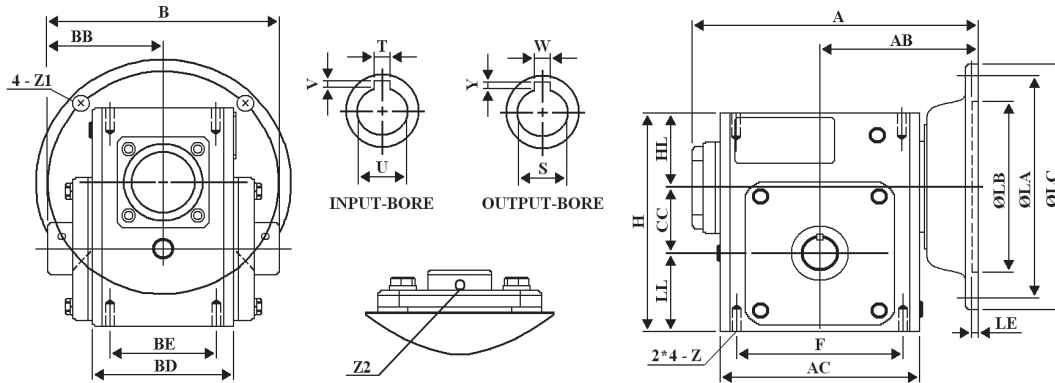
# WORLDWIDE GEAR REDUCERS

## Worm Gear Reducers

### Heavy Duty Cast Iron Worm Gear Reducers Dimensions



#### Flange Input - Hollow Bore Output



ALL DIMENSIONS IN INCHES

Box Size	NEMA Frame	A	AB	AC	B	BB	BD	BE	CC	F	H	HL	LL	Z2
133	56C	5.98	3.386	3.78	4.44	2.218	2.835	2	1.333	3.25	4.656	1.605	1.718	#10-32 UNF x 1/4
175	56C	7.28	4.035	5.059	6.18	3.091	3.563	2.75	1.75	4.19	5.75	1.938	2.062	#10-32 UNF x 1/4
206	56C	7.95	4.37	5.748	6.44	3.219	3.819	2.88	2.062	5	6.375	2.032	2.281	1/4-28 UNF x 3/8
237	56C	8.68	4.705	6.378	6.44	3.22	4.055	2.88	2.375	5	6.937	2.062	2.5	1/4-28 UNF x 3/8
262	56C	9.41	5.059	7.165	7	3.5	4.68	3.375	2.625	6.38	8	2.437	2.938	1/4-28 UNF x 3/8
	145TC													
	182/4TC	10.59	6.24											
325	56C	11.42	6.063	9.016	8.76	4.38	5.748	4	3.25	7.5	9.375	2.625	3.5	5/16-24 UNF x 3/8
	145TC													
	182/4TC	12.6	7.244											

ALL DIMENSIONS IN INCHES

Box Size	NEMA Frame	Z (UNC)	INPUT BORE		OUTPUT BORE		FLANGE					Oil (oz.)
			U	T x V	S	W x Y	LA	LB	LC	LE	Z1	
133	56C	5/16-18	0.625	3/16 x 3/32	0.625	3/16 x 3/32	5.875	4.5	6.5	0.157	0.433	5.82
175	56C	5/16-18	0.625	3/16 x 3/32	1	1/4 x 7/64	5.875	4.5	6.5	0.157	0.433	11.64
206	56C	3/8-16	0.625	3/16 x 3/32	1.125	1/4 x 1/8	5.875	4.5	6.5	0.157	0.433	19.41
237	56C	3/8-16	0.625	3/16 x 3/32	1.25	1/4 x 7/64	5.875	4.5	6.5	0.157	0.433	24.07
262	56C	3/8-16	0.625	3/16 X 3/32	1.437	3/8 x 5/32	5.875	4.5	6.5	0.157	0.433	34.55
	145TC		0.875									
	182/4TC		1.125	1/4 X 1/8	7.25	8.5	9	0.2	0.551			
325	56C	7/16-14	0.625	3/16 X 3/32	1.937	1/2 x 3/16	5.875	4.5	6.5	0.157	0.433	73.75
	145TC		0.875									
	1842/TC		1.125	1/4 X 1/8	7.25	8.5	9	0.2	0.551			

Dimensions shown in this catalog are for general use only.  
For an exact drawing on a specific rating, please contact our sales office.



# WORLDWIDE GEAR REDUCERS

## Worm Gear Reducers

Heavy Duty Cast Iron Worm Gear Reducers  
Shaft Input - Shaft Output



WORM GEAR REDUCERS

Ratio C	Output RPM @ 1800 RPM Input	WCD Center (in.)	NEMA Motor Frame	Approx. Weight (lbs.)	Model Number	List Price
5:1	350	1.33	56	17	HdRS133-5/1-(R or L)	\$193.00
		1.75	56	27	HdRS175-5/1-(R or L)	\$233.00
		2.06	145T	32	HdRS206-5/1-(R or L)	\$279.00
		2.37	182/4T	38	HdRS237-5/1-(R or L)	\$320.00
		2.62	182/4T	53	HdRS262-5/1-(R or L)	\$393.00
		3.25	182/4T	90	HdRS325-5/1-(R or L)	\$554.00
10:1	175	1.33	56	17	HdRS133-10/1-(R or L)	\$193.00
		1.75	56	27	HdRS175-10/1-(R or L)	\$233.00
		2.06	145T	32	HdRS206-10/1-(R or L)	\$279.00
		2.37	145T	38	HdRS237-10/1-(R or L)	\$320.00
		2.62	182/4T	53	HdRS262-10/1-(R or L)	\$393.00
		3.25	182/4T	90	HdRS325-10/1-(R or L)	\$554.00
20:1	120	1.33	56	17	HdRS133-20/1-(R or L)	\$193.00
		1.75	56	27	HdRS175-20/1-(R or L)	\$233.00
		2.06	56	32	HdRS206-20/1-(R or L)	\$279.00
		2.37	145T	38	HdRS237-20/1-(R or L)	\$320.00
		2.62	145T	53	HdRS262-20/1-(R or L)	\$393.00
		3.25	182/4T	90	HdRS325-20/1-(R or L)	\$554.00
30:1	58	1.33	56	17	HdRS133-30/1-(R or L)	\$193.00
		1.75	56	27	HdRS175-30/1-(R or L)	\$233.00
		2.06	56	32	HdRS206-30/1-(R or L)	\$279.00
		2.37	56	38	HdRS237-30/1-(R or L)	\$320.00
		2.62	145T	50	HdRS262-30/1-(R or L)	\$393.00
		3.25	145T	87	HdRS325-30/1-(R or L)	\$554.00
40:1	44	1.33	56	17	HdRS133-40/1-(R or L)	\$193.00
		1.75	56	27	HdRS175-40/1-(R or L)	\$233.00
		2.06	56	32	HdRS206-40/1-(R or L)	\$279.00
		2.37	56	38	HdRS237-40/1-(R or L)	\$320.00
		2.62	56	50	HdRS262-40/1-(R or L)	\$393.00
		3.25	145T	87	HdRS325-40/1-(R or L)	\$554.00
50:1	35	1.33	56	17	HdRS133-50/1-(R or L)	\$193.00
		1.76	56	27	HdRS175-50/1-(R or L)	\$233.00
		2.06	56	32	HdRS206-50/1-(R or L)	\$279.00
		2.37	56	38	HdRS237-50/1-(R or L)	\$320.00
		2.62	56	50	HdRS262-50/1-(R or L)	\$393.00
		3.25	145T	87	HdRS325-50/1-(R or L)	\$554.00
60:1	29	1.33	56	17	HdRS133-60/1-(R or L)	\$193.00
		1.75	56	27	HdRS175-60/1-(R or L)	\$233.00
		2.06	56	32	HdRS206-60/1-(R or L)	\$279.00
		2.37	56	38	HdRS237-60/1-(R or L)	\$320.00
		2.62	56	50	HdRS262-60/1-(R or L)	\$393.00
		3.25	145T	87	HdRS325-60/1-(R or L)	\$554.00



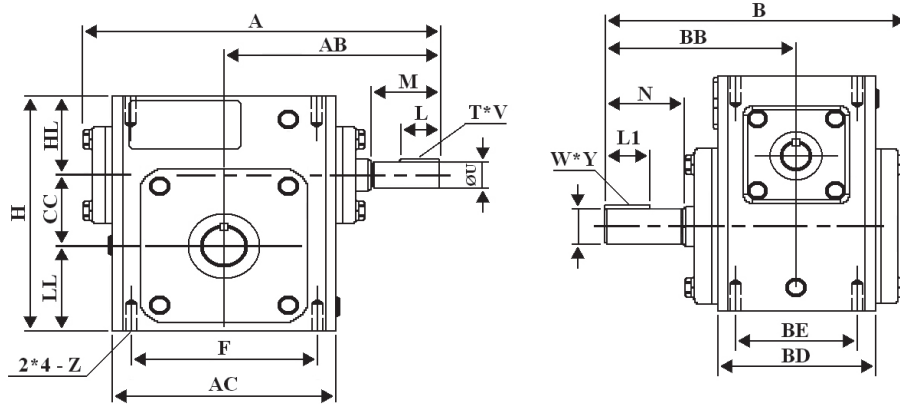
# WORLDWIDE GEAR REDUCERS

## Worm Gear Reducers

### Heavy Duty Cast Iron Worm Gear Reducers Dimensions



#### Shaft Input - Shaft Output



ALL DIMENSIONS IN INCHES

Box Size	NEMA Frame	A	AB	AC	B	BB	BD	BE	CC	F	H	HL	LL
133	56	6.45	3.907	3.78	6.067	4	2.835	2	1.333	3.25	4.656	1.605	1.718
175	56	8.06	4.872	5.059	6.831	4.311	3.563	2.75	1.75	4.188	5.75	1.938	2.062
206	56	8.65	5.128	5.748	7.249	4.69	3.819	2.88	2.062	5	6.375	2.032	2.281
	145T												
237	56	9.69	5.75	6.378	7.948	5.087	4.055	2.88	2.375	5	6.937	2.062	2.5
	145T												
	182/4T												
262	56	10.61	6.309	7.165	8.872	5.63	4.685	3.375	2.625	6.375	8	2.437	2.938
	145T												
	182/4T												
325	145T	12.74	7.441	9.016	11.01	7.059	5.748	4	3.25	7.5	9.375	2.625	3.5
	182/4T												

ALL DIMENSIONS IN INCHES

Box Size	NEMA Frame	M	N	Z (UNC)	INPUT SHAFT			OUTPUT SHAFT			Oil (oz.)
					L	U	T x V	L1	S	W x Y	
133	56	1.309	2	5/16-18	0.625	0.5	1/8 x 1/16	1	0.625	3/16 x 3/32	5.82
175	56	1.555	1.781	5/16-18	0.875	0.625	3/16 x 3/32	1	0.875	3/16 x 3/32	11.64
206	56	1.555	2.09	3/8-16	0.875	0.625	3/16 x 3/32	1.25	1	1/4 x 1/8	19.41
	145T										
237	56	2	2.37	3/8-16	1	0.75	3/16 x 3/32	1.25	1.125	1/4 x 1/8	24.07
	145T										
	182/4T										
262	56	2	2.626	3/8-16	1	0.75	3/16 X 3/32	2	1.125	1/4 x 1/8	34.55
	145T										
	182/4T										
325	145T	2.343	3.25	7/16-14	1	0.875	3/16 X 3/32	2.438	1.375	5/16 x 5/32	73.75
	182/4T										

Dimensions shown in this catalog are for general use only.  
For an exact drawing on a specific rating, please contact our sales office.



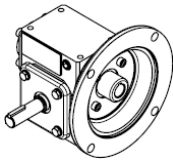
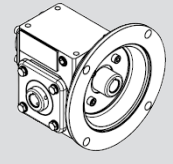
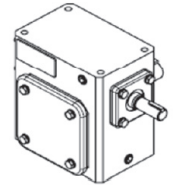
# WORLDWIDE GEAR REDUCERS

## Worm Gear Reducers

Heavy Duty Cast Iron Worm Gear Reducers  
Competitive Interchange



WORM GEAR REDUCERS

CENTER DISTANCE		1.33	1.75	2.06	2.37	2.62	3.25
 <p>C-FACE INPUT SHAFT OUTPUT</p>	WORLDWIDE	HDRF133-L/R	HDRF175-L/R	HDRF206-L/R	HDRF237-L/R	HDRF262-L/R	HDRF325-L/R
	ALLING LANDER	13UF	17UF	20UF	23UF	26UF	32UF
	BALDOR	F913	F918	F921	F924	F926	F932
	BOSTON	F713	F718	F721	F724	F726	F732
	BROWNING - RAIDER	Q133	Q175	Q206	Q237	Q262	Q325
	DODGE - TIGEAR	Q133	Q175	Q200	---	Q262	---
	ELECTRA *	MSC13	MSC17	MSC21	---	MSC26	---
	FALK - OMNIBOX	1133WBM	1175WBM	1206WBM	1238WBM	1262WBM	1325WBM
	GROVE (NEW)	BMQ213	BMQ218	BMQ220	BMQ224	BMQ226	BMQ232
	GROVE (OLD)	BMQ1133	BMQ1175	BMQ1206	BMQ1238	BMQ1262	BMQ1325
	HUB CITY *	134	184	214	---	264	324
	LEESON	BMQ613	BMQ618	BMQ621	BMQ624	BMQ626	BMQ632
	MORSE COBRA *	13Q	18Q	21Q	---	26Q	---
	MORSE RAIDER	713F	718F	721F	724F	726F	732F
	OHIO GEAR	BMQ2133	BMQ2175	BMQ2206	BMQ2238	BMQ2262	BMQ2325
	WINSMITH *	913MDN	917MDN	920MDN	924MDN	926MDN	---
 <p>C-FACE INPUT HOLLOW BORE OUTPUT</p>	WORLDWIDE **	HDRF133-H	HDRF175-H	HDRF206-H	HDRF237-H	HDRF262-H	HDRF325-H
	ALLING LANDER	13YF	17YF	20YF	23YF	26YF	32YF
	BALDOR	HF913	HF918	HF921	HF924	HF926	HF932
	BOSTON	HF713	HF718	HF721	HF724	HF726	HF732
	BROWNING - RAIDER	QH133	QH175	QH206	QH237	QH262	QH325
	ELECTRA *	---	MHSC17	MHSC21	---	MHSC26	---
	FALK - OMNIBOX	1133WBQM	1175WBQM	1206WBQM	1238WBQM	1262WBQM	1325WBQM
	GROVE (NEW)	HMQ213	HMQ218	HMQ220	HMQ224	HMQ226	HMQ232
	GROVE (OLD)	HMQ1133	HMQ1175	HMQ1206	HMQ1238	HMQ1262	HMQ1325
	HUB CITY *	---	185	215	---	265	325
	LEESON	HMQ613	HMQ618	HMQ621	HMQ624	HMQ626	HMQ632
	MORSE COBRA *	13QH	18QH	21QH	---	26QH	---
	MORSE RAIDER	713SF	718SF	721SF	724SF	726SF	732SF
	OHIO GEAR	SM2133MQ	SM2175MQ	SM2206MQ	SM2238MQ	SM2262MQ	SM2325MQ
	WINSMITH *	---	917MDSN	920MDSN	924MDSN	926MDSN	---
	 <p>SHAFT INPUT SHAFT OUTPUT</p>	WORLDWIDE	HDRS133	HDRS175	HDRS206	HDRS237	HDRS262
ALLING LANDER		13U	17U	20U	23U	26U	32U
BALDOR		S913	S918	S921	S924	S926	S932
BOSTON		713	718	721	724	726	732
BROWNING - RAIDER		U133	U175	U206	U237	U262	U325
DODGE - TIGEAR		S133	S175	S200	---	S262	---
ELECTRA *		M13	M17	M21	---	M26	---
FALK - OMNIBOX		1133WB	1175WB	1206WB	1238WB	1262WB	1325WB
GROVE (NEW)		B213	B218	B220	B224	B226	B232
GROVE (OLD)		B1133	B1175	B1206	B1238	B1262	B1325
HUB CITY *		131	181	211	---	261	321
LEESON		B613	B618	B621	B624	B626	B632
MORSE COBRA *		13U	18U	21U	---	26U	---
MORSE RAIDER		713B	718B	721B	724B	726B	732B
OHIO GEAR		B2133	B2175	B2206	B2238	B2262	B2325
WINSMITH *		913DN	917DN	920DN	924DN	926DN	---

\* WorldWide Worm Gearboxes Are Not Dimensionally Interchangeable With These Manufacturers.

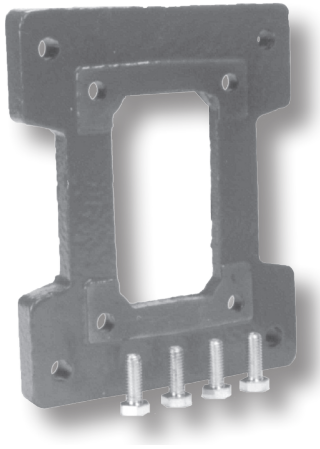
\*\* WorldWide Hollow Bore Worm Gearboxes Have Only One Output Diameter Bore Available Per Center Distance.



# WORLDWIDE GEAR REDUCERS

## Worm Gear Reducers

### Heavy Duty Cast Iron Worm Gear Reducers Accessories

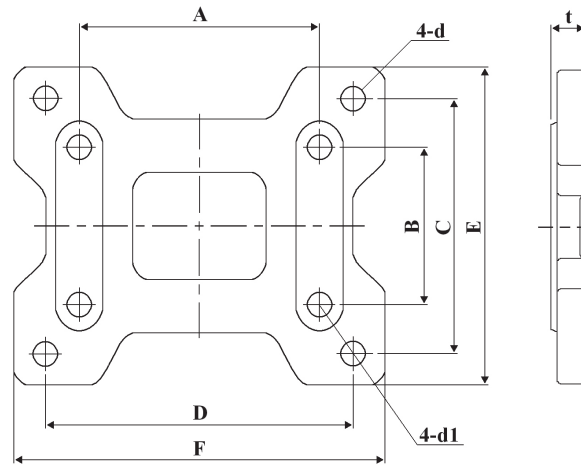


### Mounting Bases

- Box Sizes 1.33 - 3.25
- Includes Mounting Bolts

Box Size	Model Number	List Price
133	HdRBASE133	\$27.59
154	HdRBASE154	\$31.03
175	HdRBASE175	\$34.49
206	HdRBASE206	\$41.38
237	HdRBASE237	\$48.28
262	HdRBASE262	\$55.18
325	HdRBASE325	\$62.07

WORM GEAR REDUCERS



ALL DIMENSIONS IN INCHES

Box Size	A	B	C	D	E	F	t	d	d1
133	3.25	2	3.31	4.38	4.19	5.38	0.53	11/32	3/8
154	4.19	2.75	4.31	5.25	5.44	6.44	0.59	11/32	3/8
175	4.19	2.75	4.5	5.75	5.69	7	0.69	13/32	3/8
206	5	2.88	4.69	6.38	5.94	7.75	0.72	15/32	7/16
237	5	2.88	4.88	7.06	6.22	8.5	0.75	15/32	7/16
262	6.38	3.38	5.25	8	6.66	9.63	0.75	17/32	7/16
325	7.5	4	6.13	9.5	7.66	11.19	0.88	17/32	1/2

Dimensions shown in this catalog are for general use only.  
For an exact drawing on a specific rating, please contact our sales office.

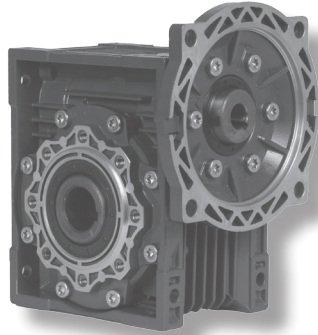


# WORLDWIDE GEAR REDUCERS

## Worm Gear Reducers

### Aluminium Worm Gear Reducers

#### Product Overview



#### Product Overview

- 7.5:1 - 100:1 Ratios
- Box Sizes 30 - 90
- Aluminum Alloy Housing For Light Weight Design
- Hardened Worm Shaft For Increased Durability
- Two Bearings On Input and Output Shafts
- NEMA Motor Input Flanges
- All Units Filled With Synthetic Oil
- No Vent Plug Or Breather Needed - Maintenance Free Reducer
- Double Lip Oil Seals Prevent Leakage
- Multiple Mounting Holes For All Angle Mounts
- Epoxy Paint Applied To Inside and Outside Of Reducer To Protect Against Rust
- Hollow Output Bores With Plug-In Output Shafts
- 1 Year Warranty

WORM GEAR REDUCERS

Ratio C	Output RPM @ 1800 RPM Input	WCD Center (mm)	HP	NEMA Motor Frame	Approx. Weight (lbs.)	Model Number	List Price
7.5:1	233	30	0.69	56C	3	ALM30-7.5/1-56C	\$152.00
		40	1.5	56C	5	ALM40-7.5/1-56C	\$186.78
		50	2.64	56C	8	ALM50-7.5/1-56C	\$257.81
		63	4.76	56C	13	ALM63-7.5/1-56C	\$333.81
		63	4.76	145TC	13	ALM63-7.5/1-145TC	\$333.81
		75	6.8	56C	19	ALM75-7.5/1-56C	\$482.97
		75	6.8	145TC	19	ALM75-7.5/1-145TC	\$482.97
		75	6.8	182/4TC	19	ALM75-7.5/1-182/4TC	\$482.97
		90	10.56	56C	28	ALM90-7.5/1-56C	\$552.56
		90	10.56	145TC	28	ALM90-7.5/1-145TC	\$552.56
10:1	175	30	0.54	56C	3	ALM30-10/1-56C	\$152.00
		40	1.15	56C	5	ALM40-10/1-56C	\$186.78
		50	2.06	56C	8	ALM50-10/1-56C	\$257.81
		63	3.67	56C	13	ALM63-10/1-56C	\$333.81
		63	3.67	145TC	13	ALM63-10/1-145TC	\$333.81
		75	5.44	56C	19	ALM75-10/1-56C	\$482.97
		75	5.44	145TC	19	ALM75-10/1-145TC	\$482.97
		75	5.44	182/4TC	19	ALM75-10/1-182/4TC	\$482.97
		90	8.56	56C	28	ALM90-10/1-56C	\$552.56
		90	8.56	145TC	28	ALM90-10/1-145TC	\$552.56
15:1	117	30	0.38	56C	3	ALM30-15/1-56C	\$152.00
		40	0.8	56C	5	ALM40-15/1-56C	\$186.78
		50	1.47	56C	8	ALM50-15/1-56C	\$257.81
		63	2.76	56C	13	ALM63-15/1-56C	\$333.81
		63	2.76	145TC	13	ALM63-15/1-145TC	\$333.81
		75	3.86	56C	19	ALM75-15/1-56C	\$482.97
		75	3.86	145TC	19	ALM75-15/1-145TC	\$482.97
		75	3.86	182/4TC	19	ALM75-15/1-182/4TC	\$482.97
		90	6.86	56C	28	ALM90-15/1-56C	\$552.56
		90	6.86	145TC	28	ALM90-15/1-145TC	\$552.56
15:1	117	90	6.86	182/4TC	28	ALM90-15/1-182/4TC	\$552.56

Continued On Next Page





# WORLDWIDE GEAR REDUCERS

## Worm Gear Reducers

### Aluminium Worm Gear Reducers

#### Product Overview (Continued)



Ratio C	Output RPM @ 1800 RPM Input	WCD Center (mm)	HP	NEMA Motor Frame	Approx. Weight (lbs.)	Model Number	List Price
20:1	88	30	0.3	56C	3	ALM30-20/1-56C	\$152.00
		40	0.61	56C	5	ALM40-20/1-56C	\$186.78
		50	1.13	56C	8	ALM50-20/1-56C	\$257.81
		63	2.04	56C	13	ALM63-20/1-56C	\$333.81
		63	2.04	145TC	13	ALM63-20/1-145TC	\$333.81
		75	3.14	56C	19	ALM75-20/1-56C	\$482.97
		75	3.14	145TC	19	ALM75-20/1-145TC	\$482.97
		90	5.18	56C	28	ALM90-20/1-56C	\$552.56
		90	5.18	145TC	28	ALM90-20/1-145TC	\$552.56
		90	5.18	182/4TC	28	ALM90-20/1-182/4TC	\$552.56
25:1	70	30	0.3	56C	3	ALM30-25/1-56C	\$152.00
		40	0.5	56C	5	ALM40-25/1-56C	\$186.78
		50	0.91	56C	8	ALM50-25/1-56C	\$257.81
		63	1.64	56C	13	ALM63-25/1-56C	\$333.81
		75	2.45	56C	19	ALM75-25/1-56C	\$482.97
		75	2.45	145TC	19	ALM75-25/1-145TC	\$482.97
		90	4.09	56C	28	ALM90-25/1-56C	\$552.56
		90	4.09	145TC	28	ALM90-25/1-145TC	\$552.56
		90	4.09	182/4TC	28	ALM90-25/1-182/4TC	\$552.56
30:1	58	30	0.25	56C	3	ALM30-30/1-56C	\$152.00
		40	0.53	56C	5	ALM40-30/1-56C	\$186.78
		50	0.95	56C	8	ALM50-30/1-56C	\$257.81
		63	1.76	56C	13	ALM63-30/1-56C	\$333.81
		75	2.48	56C	19	ALM75-30/1-56C	\$482.97
		90	4.32	56C	28	ALM90-30/1-56C	\$552.56
		90	4.32	145TC	28	ALM90-30/1-145TC	\$552.56
		90	4.32	182/4TC	28	ALM90-30/1-182/4TC	\$552.56
40:1	44	30	0.19	56C	3	ALM30-40/1-56C	\$152.00
		40	0.39	56C	5	ALM40-40/1-56C	\$186.78
		50	0.7	56C	8	ALM50-40/1-56C	\$257.81
		63	1.26	56C	13	ALM63-40/1-56C	\$333.81
		75	1.88	56C	19	ALM75-40/1-56C	\$482.97
		90	2.95	56C	28	ALM90-40/1-56C	\$552.56
		90	2.95	145TC	28	ALM90-40/1-145TC	\$552.56
50:1	35	30	0.14	56C	3	ALM30-50/1-56C	\$152.00
		40	0.31	56C	5	ALM40-50/1-56C	\$186.78
		50	0.57	56C	8	ALM50-50/1-56C	\$257.81
		63	1.01	56C	13	ALM63-50/1-56C	\$333.81
		75	1.5	56C	19	ALM75-50/1-56C	\$482.97
		90	2.33	56C	28	ALM90-50/1-56C	\$552.56
		90	2.33	145TC	28	ALM90-50/1-145TC	\$552.56

WORM GEAR REDUCERS

Continued On Next Page



# WORLDWIDE GEAR REDUCERS

## Worm Gear Reducers

### Aluminium Worm Gear Reducers

#### Product Overview (Continued)



Ratio C	Output RPM @ 1800 RPM Input	WCD Center (mm)	HP	NEMA Motor Frame	Approx. Weight (lbs.)	Model Number	List Price
60:1	29	30	0.12	56C	3	ALM30-60/1-56C	\$152.00
		40	0.25	56C	5	ALM40-60/1-56C	\$186.78
		50	0.46	56C	8	ALM50-60/1-56C	\$257.81
		63	0.86	56C	13	ALM63-60/1-56C	\$333.81
		75	1.26	56C	19	ALM75-60/1-56C	\$482.97
		90	1.9	56C	28	ALM90-60/1-56C	\$552.56
80:1	22	30	0.09	56C	3	ALM30-80/1-56C	\$152.00
		40	0.19	56C	5	ALM40-80/1-56C	\$186.78
		50	0.38	56C	8	ALM50-80/1-56C	\$257.81
		63	0.67	56C	13	ALM63-80/1-56C	\$333.81
		75	0.97	56C	19	ALM75-80/1-56C	\$482.97
		90	1.39	56C	28	ALM90-80/1-56C	\$552.56
100:1	17.5	30	0.06	56C	3	ALM30-100/1-56C	\$152.00
		40	0.15	56C	5	ALM40-100/1-56C	\$186.78
		50	0.28	56C	8	ALM50-100/1-56C	\$257.81
		63	0.57	56C	13	ALM63-100/1-56C	\$333.81
		75	0.80	56C	19	ALM75-100/1-56C	\$482.97
		90	1.12	56C	28	ALM90-100/1-56C	\$552.56

WORM GEAR REDUCERS



# WORLDWIDE GEAR REDUCERS

## Worm Gear Reducers

### Aluminium Worm Gear Reducers

#### Mechanical Ratings



Input Speed		1750 RPM				
Box Size	Ratio	Mechanical (1.0 SF)			Efficiency (%)	O.H.L. (lbs.)
		Input	Output	Output		
		HP	Torque (lbs. in.)	Speed		
30	7.5:1	0.69	150	233	82	129
	10:1	0.54	150	175	80	142
	15:1	0.38	150	117	73	163
	20:1	0.30	150	88	72	179
	25:1	0.30	186	70	68	193
	30:1	0.25	177	58	62	205
	40:1	0.19	150	44	55	225
	50:1	0.14	142	35	52	243
	60:1	0.12	142	29	46	259
	80:1	0.09	106	22	40	284
	100:1	0.06	88	17.5	45	310
40	7.5:1	1.50	354	233	85	253
	10:1	1.15	354	175	83	279
	15:1	0.80	354	117	79	319
	20:1	0.61	345	88	78	350
	25:1	0.50	327	70	75	378
	30:1	0.53	389	58	68	403
	40:1	0.39	363	44	65	441
	50:1	0.31	336	35	62	476
	60:1	0.25	319	29	56	507
	80:1	0.19	283	22	50	556
	100:1	0.15	257	18	47	595
50	7.5:1	2.64	619	233	86	369
	10:1	2.06	628	175	84	406
	15:1	1.47	655	117	80	464
	20:1	1.13	646	88	78	510
	25:1	0.91	611	70	75	551
	30:1	0.95	734	58	70	586
	40:1	0.70	664	44	65	643
	50:1	0.57	646	35	60	694
	60:1	0.46	602	29	57	739
	80:1	0.38	566	22	50	810
	100:1	0.28	487	18	46	866
63	7.5:1	4.76	1133	233	87	463
	10:1	3.67	1141	175	86	510
	15:1	2.76	1239	117	82	583
	20:1	2.04	1186	88	80	641
	25:1	1.64	1141	70	76	692
	30:1	1.76	1416	58	73	736
	40:1	1.26	1274	44	70	807
	50:1	1.01	1186	35	63	871
	60:1	0.86	1141	29	59	928
	80:1	0.67	1071	22	53	1017
	100:1	0.57	1035	18	48	1088

WORM GEAR REDUCERS

Continued On Next Page



# WORLDWIDE GEAR REDUCERS

## Worm Gear Reducers

### Aluminium Worm Gear Reducers Mechanical Ratings (Continued)



Input Speed		1750 RPM				
Box Size	Ratio	Mechanical (1.0 SF)			Efficiency (%)	O.H.L. (lbs.)
		Input	Output	Output		
		HP	Torque (lbs. in.)	Speed		
75	7.5:1	6.80	1628	233	88	549
	10:1	5.44	1717	175	86	604
	15:1	3.886	1770	117	84	691
	20:1	3.14	1849	88	79	759
	25:1	2.45	1770	70	76	820
	30:1	2.48	2026	58	72	873
	40:1	1.88	1947	44	68	957
	50:1	1.50	1849	35	66	1033
	60:1	1.26	1770	29	62	1099
	80:1	0.97	1672	22	58	1205
100:1	0.80	1593	18	52	1289	
90	7.5:1	10.56	2557	233	86	631
	10:1	8.56	2734	175	85	694
	15:1	6.86	3177	117	82	794
	20:1	5.18	3132	88	81	873
	25:1	4.09	3000	70	81	942
	30:1	4.32	3619	58	75	1003
	40:1	2.95	3177	44	72	1100
	50:1	2.33	3000	35	71	1187
	60:1	1.90	2823	29	65	1264
	80:1	1.39	2522	22	61	1386
100:1	1.12	2380	18	57	1482	

WORM GEAR REDUCERS

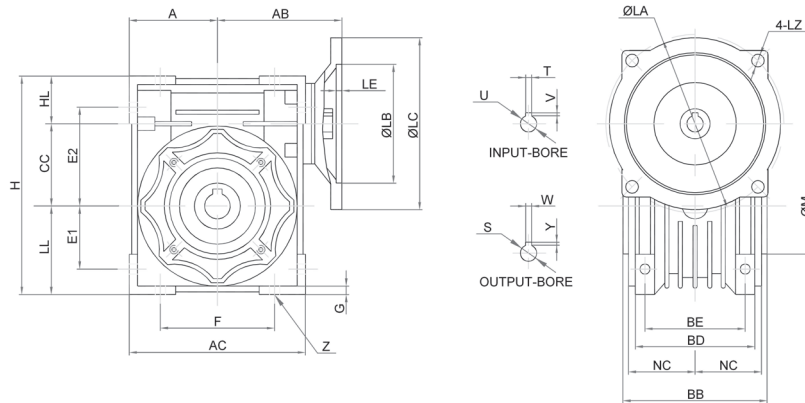


# WORLDWIDE GEAR REDUCERS

## Worm Gear Reducers

### Aluminium Worm Gear Reducers

#### Dimensions



ALL DIMENSIONS IN MILLIMETERS

Box Size	NEMA Frame	A	AB	AC	BB	BD	BE	CC	E1	E2	F	G	H	HL	LL	M
30	56C	40	70	80	63	56	44	30	27	44	54	5.5	97	27	40	55
40	56C	50	87.8	100	78	71	60	40	35	55	70	6.5	121.5	31.5	50	60
50	56C	60	87	120	92	85	70	50	40	64	80	7	144	34	60	70
63	56C	72	95	144	112	103	85	63	50	80	100	8	174	39	72	80
	145TC															
75	56C	86	112.5	172	120	112	90	75	60	93	120	10	205	44	86	95
	145TC															
	182/4TC															
90	56C	103	129.5	208	140	130	100	90	70	102	140	11	238	45	103	110
	145TC															
	182/4TC															

Box Size	NEMA Frame	NC	Z	INPUT BORE (Inches)		OUTPUT BORE (Inches)		FLANGE (Inches)				
				U	T x V	S	W x Y	LA	LB	LC	LE	LZ
30	56C	29	6.5	0.625	3/16 x 3/32	0.625	3/16 x 3/32	5.875	4.5	5.787	0.177	0.413
40	56C	36.5	6.5	0.625	3/16 x 3/32	0.75	3/16 x 3/32	5.875	4.5	5.787	0.157	0.413
50	56C	43.5	8.5	0.625	3/16 x 3/32	1	1/4 x 7/64	5.875	4.5	5.787	0.157	0.413
63	56C	53	8.5	0.625	3/16 x 3/32	1.125	1/4 x 1/8	5.875	4.5	5.787	0.177	0.413
	0.875											
75	56C	57	11	0.625	3/16 x 3/32	1.25	1/4 x 1/8	5.875	4.5	5.787	0.157	0.413
	0.875											
	1.125			1/4 x 1/8								
90	56C	67	13	0.625	3/16 x 3/32	1.375	5/16 x 9/64	5.875	4.5	5.787	0.157	0.413
	0.875											
	1.125			1/4 x 1/8								

Dimensions shown in this catalog are for general use only.  
For an exact drawing on a specific rating, please contact our sales office.

# WORLDWIDE GEAR REDUCERS

## Worm Gear Reducers

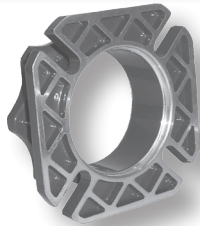
### Aluminium Worm Gear Reducers

### Accessories



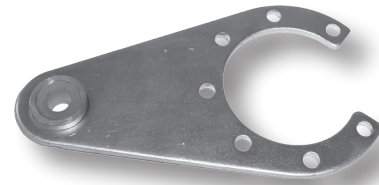
#### Output Flanges

Box Size	Model Number	List Price
30	ALM30-OPF	\$12.43
40	ALM40-OPF	\$14.20
50	ALM50-OPF	\$15.98
63	ALM63-OPF	\$20.42
75	ALM75-OPF	\$32.85
90	ALM90-OPF	\$40.16



#### Torque Arms

Box Size	Model Number	List Price
30	ALM30-TA	\$16.88
40	ALM40-TA	\$18.64
50	ALM50-TA	\$20.42
63	ALM63-TA	\$33.74
75	ALM75-TA	\$55.04
90	ALM90-TA	\$62.50



#### Single Output Shafts

Box Size	Model Number	List Price
30	ALM30-S	\$16.87
40	ALM40-S	\$19.53
50	ALM50-S	\$23.08
63	ALM63-S	\$31.07
75	ALM75-S	\$39.95
90	ALM90-S	\$51.56



#### Double Output Shafts

Box Size	Model Number	List Price
30	ALM30-DS	\$22.19
40	ALM40-DS	\$26.63
50	ALM50-DS	\$31.07
63	ALM63-DS	\$41.73
75	ALM75-DS	\$51.49
90	ALM90-DS	\$71.44



#### Output Cover

Box Size	Model Number	List Price
30	ALM30-OPC	\$7.50
40	ALM40-OPC	\$7.50
50	ALM50-OPC	\$12.50
63	ALM63-OPC	\$12.50
75	ALM75-OPC	\$12.50
90	ALM90-OPC	\$12.50





---

Freight Terms Are As Follows On All Orders Shipped From Our Warehouse:

### WORM GEAR SPEED REDUCERS

1 - 3 Pieces:	UPS - Prepay & Add
4 - 23 Pieces:	Truck - 9% Of Invoice / \$100 Minimum
24+ Pieces or \$2,000: (Whichever Comes First)	Truck - Prepaid & Allowed

### SHAFT MOUNT REDUCERS

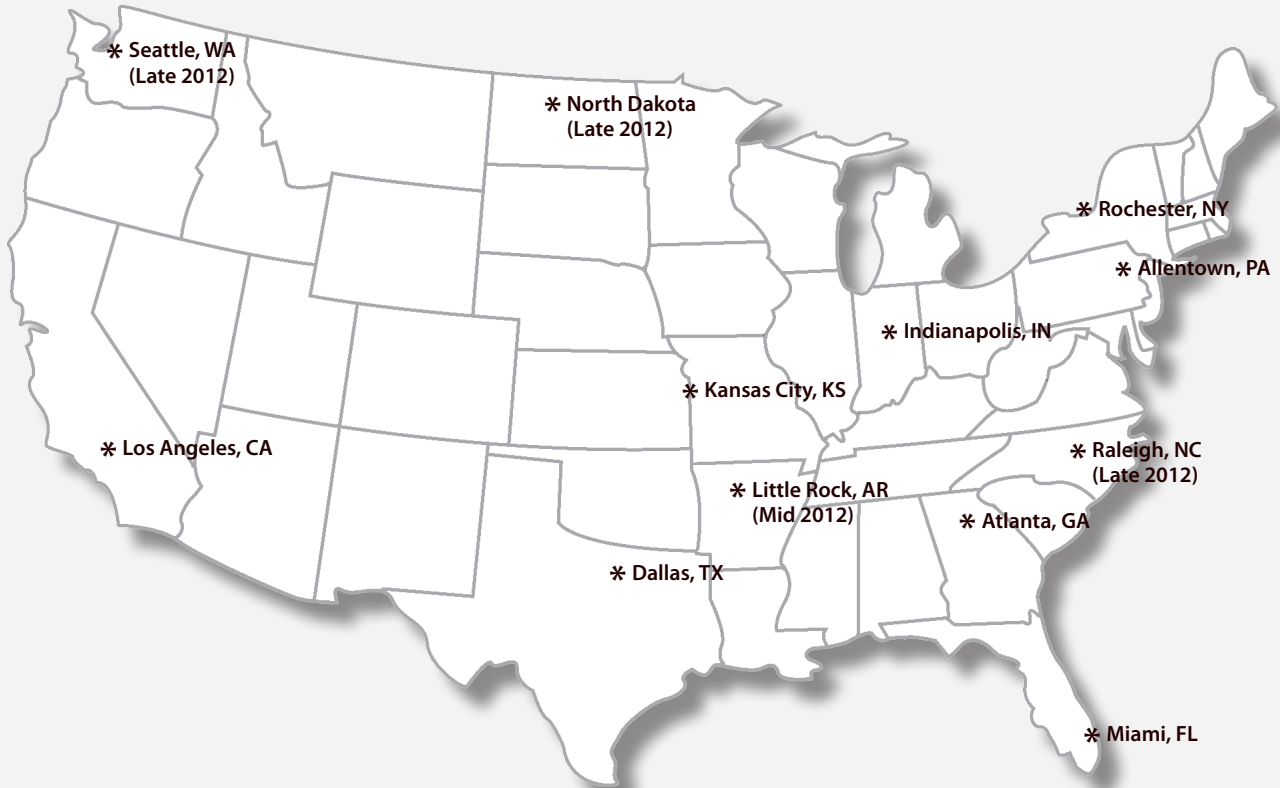
\$0 - \$1,999:	Truck - 9% Of Invoice / \$100 Minimum
\$2,000+:	Truck - Prepaid & Allowed

Orders May Be Picked Up From Any Of Our Warehouses As A Will Call. We Would Prefer A One Hour Advance Notification For Orders To Be Picked Up. However, Allowances Will Be Made For Special Rush And Urgent Situations.



# WorldWide Electric Corporation

## *Warehouse Locations*



- › Next day service in most areas.
- › Our prices are way below average market price levels.
- › We keep millions of dollars in inventory and can ship most orders on the same day.
- › Our inside and outside sales staff are highly trained, highly experienced, and immediately available to you.



P.O. Box 307, Pittsford, NY 14534 USA  
Phone: 800-808-2131 x5 • Fax: 800-771-1616  
[www.worldwideelectric.net](http://www.worldwideelectric.net)