

HYUNDAI CROWN TRITON™ SERIES MOTORS

IEEE-841

TEFC Enclosure ▪ Rigid Base

Three-Phase ▪ 460 Volt



HYUNDAI CROWN TRITON™
IEEE-841

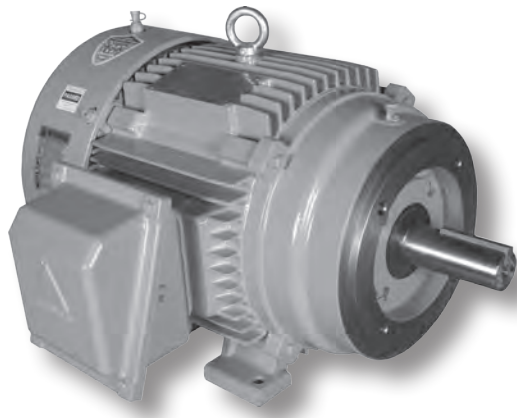
HP	RPM	Voltage	Frame	Model Number	List Price	FL Amps (A)	FL Eff. (%)	Approx. Wt. (lbs.)	Notes
25	3600	460	284TS	IEEE25-36-284TS		28.5	91.7	380	
	1800	460	284T	IEEE25-18-284T		30.3	93.6	380	
	1200	460	324T	IEEE25-12-324T		31.2	93.0	550	
30	3600	460	286TS	IEEE30-36-286TS		33.8	91.7	410	
	1800	460	286T	IEEE30-18-286T		36.0	93.6	410	
	1200	460	326T	IEEE30-12-326T		37.1	93.0	560	
40	3600	460	324TS	IEEE40-36-324TS		45.5	92.4	550	
	1800	460	324T	IEEE40-18-324T		48.8	94.1	550	
	1200	460	364T	IEEE40-12-364T		48.8	94.1	780	
50	3600	460	326TS	IEEE50-36-326TS		55.8	93.0	560	
	1800	460	326T	IEEE50-18-326T		59.9	94.5	560	
	1200	460	365T	IEEE50-12-365T		60.2	94.1	840	
60	3600	460	364TS	IEEE60-36-364TS		65.6	94.1	780	
	1800	460	364T	IEEE60-18-364T		69.9	95.0	780	
	1200	460	404T	IEEE60-12-404T		71.2	94.5	1120	RB
75	3600	460	365TS	IEEE75-36-365TS		79.8	94.5	820	
	1800	460	365T	IEEE75-18-365T		85.1	95.4	820	
	1200	460	405T	IEEE75-12-405T		87.0	94.5	1220	RB
100	3600	460	405TS	IEEE100-36-405TS		110.1	94.5	1110	
	1800	460	405T	IEEE100-18-405T		114.1	95.4	1110	RB
	1800	460	405T	IEEE100-18-405TBB		114.1	95.4	1110	
	1200	460	444T	IEEE100-12-444T		116.6	95.0	1530	RB
125	3600	460	444TS	IEEE125-36-444TS		139.5	95.0	1610	
	1800	460	444T	IEEE125-18-444T		142.0	95.4	1530	RB
	1800	460	444T	IEEE125-18-444TBB		142.0	95.4	1530	
	1200	460	445T	IEEE125-12-445T		147.7	95.0	1700	RB
150	3600	460	445TS	IEEE150-36-445TS		161.5	95.0	1770	
	1800	460	445T	IEEE150-18-445T		163.8	95.8	1640	RB
	1800	460	445T	IEEE150-18-445TBB		163.8	95.8	1640	
	1200	460	447T	IEEE150-12-447T		169.5	95.8	1970	RB
200	3600	460	447TS	IEEE200-36-447TS		219.3	95.4	1900	
	1800	460	447T	IEEE200-18-447T		222.4	96.2	1860	RB
	1800	460	447T	IEEE200-18-447TBB		222.4	96.2	1860	
	1200	460	449T	IEEE200-12-449T		231.2	95.8	2430	RB
250	3600	460	449TS	IEEE250-36-449TS		276.6	95.8	2430	
	1800	460	449T	IEEE250-18-449T		281.7	96.2	2430	RB

HYUNDAI CROWN TRITON™ SERIES MOTORS

IEEE-841

TEFC Enclosure ▪ C-Face ▪ Rigid Base

Three-Phase ▪ 460 Volt



Product Overview

- 1 - 100 HP
- 3600 and 1800 RPM
- Single voltage, 460 volt
- TEFC enclosure
- Dual rated service factor 1.15 for 40°C / 1.0 for 65°C
- Class F insulation with Class H varnish, double dip and bake cycles
- C-face - rigid base
- Full compliance with IEEE-841, version 2009
- Meets or exceeds EISA 2007 requirements defined in NEMA MG-1 table 12-12
- 5 year warranty
- Parker Hannifan ProTech IP66 labyrinth seals on both drive-end and opposite drive-end bearings
- CSA Certified For Class I, Division 2, Groups A, B, C, D
- Inverter duty, 10:1 CT / 1000:1 VT
- Inverter shield insulation and inverter grade magnet wire meets or exceeds NEMA MG-1 Part 31 for exceptional corona and transient protection
- Class B temperature rise
- IP55 degree of protection
- NEMA design B torque
- IEEE-841 motor test report supplied with each motor



HYUNDAI CROWN TRITON™
IEEE-841

HP	RPM	Voltage	Frame	Model Number	List Price	FL Amps (A)	FL Eff. (%)	Approx. Wt. (lbs.)	Notes
1	1800	460	143TC	IEEE1-18-143TC		1.6	85.5	53	
	3600	460	143TC	IEEE1.5-36-143TC		2.0	84.0	53	
1.5	1800	460	145TC	IEEE1.5-18-145TC		2.2	86.5	55	
	3600	460	145TC	IEEE2-36-145TC		2.6	85.5	55	
2	1800	460	145TC	IEEE2-18-145TC		3.0	86.5	55	
	3600	460	182TC	IEEE3-36-182TC		3.8	86.5	90	
3	1800	460	182TC	IEEE3-18-182TC		3.9	89.5	90	
	3600	460	184TC	IEEE5-36-184TC		6.1	88.5	105	
5	1800	460	184TC	IEEE5-18-184TC		6.5	89.5	105	
	3600	460	213TC	IEEE7.5-36-213TC		9.0	89.5	150	
7.5	1800	460	213TC	IEEE7.5-18-213TC		9.5	91.7	150	
	3600	460	215TC	IEEE10-36-215TC		12.0	90.2	165	
10	1800	460	215TC	IEEE10-18-215TC		12.8	91.7	165	
	3600	460	254TC	IEEE15-36-254TC		16.9	91.7	260	
15	1800	460	254TC	IEEE15-18-254TC		18.3	92.4	260	
	3600	460	256TC	IEEE20-36-256TC		23.1	91.7	300	
20	1800	460	256TC	IEEE20-18-256TC		24.8	93.0	300	
	3600	460	284TSC	IEEE25-36-284TSC		28.5	91.7	380	
25	1800	460	284TC	IEEE25-18-284TC		30.3	93.6	380	
	3600	460	286TSC	IEEE30-36-286TSC		33.8	91.7	410	
30	1800	460	286TC	IEEE30-18-286TC		36.0	93.6	410	
	3600	460	324TSC	IEEE40-36-324TSC		45.5	92.4	550	
40	1800	460	324TC	IEEE40-18-324TC		48.8	94.1	550	
	3600	460	326TSC	IEEE50-36-326TSC		55.8	93.0	560	
50	1800	460	326TC	IEEE50-18-326TC		59.9	94.5	560	
	60	1800	460	364TC	IEEE60-18-364TC		69.9	95.0	780
75	1800	460	365TC	IEEE75-18-365TC		85.1	95.4	820	
100	1800	460	405TC	IEEE100-18-405TC		114.1	95.4	1110	

